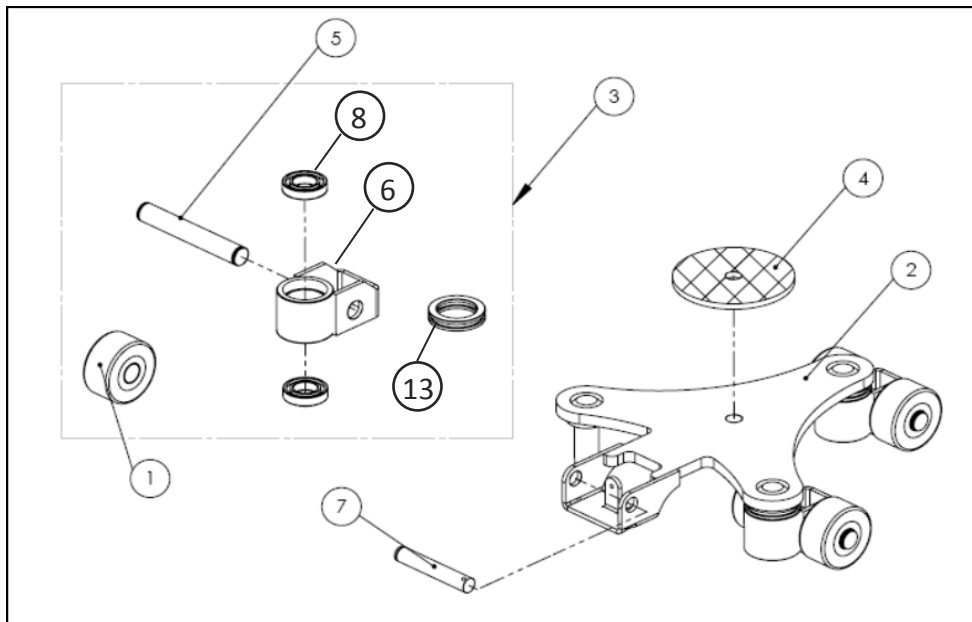


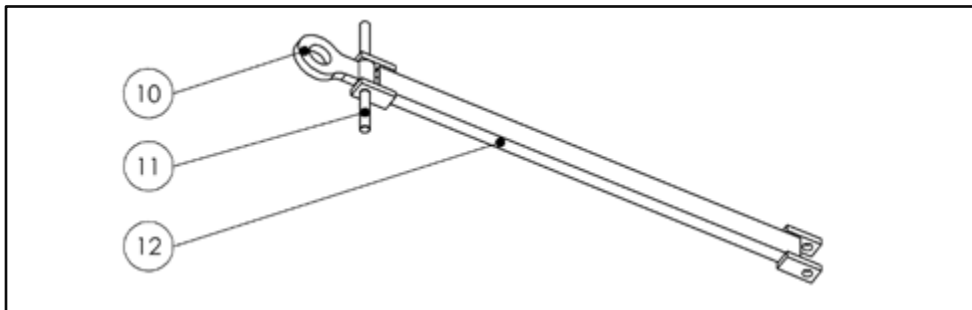


To order please provide: Dolly model number, serial number or year built, and part #. If unknown, call us for help.

Model JKB 1.5 [R1.5]



Pulling handle

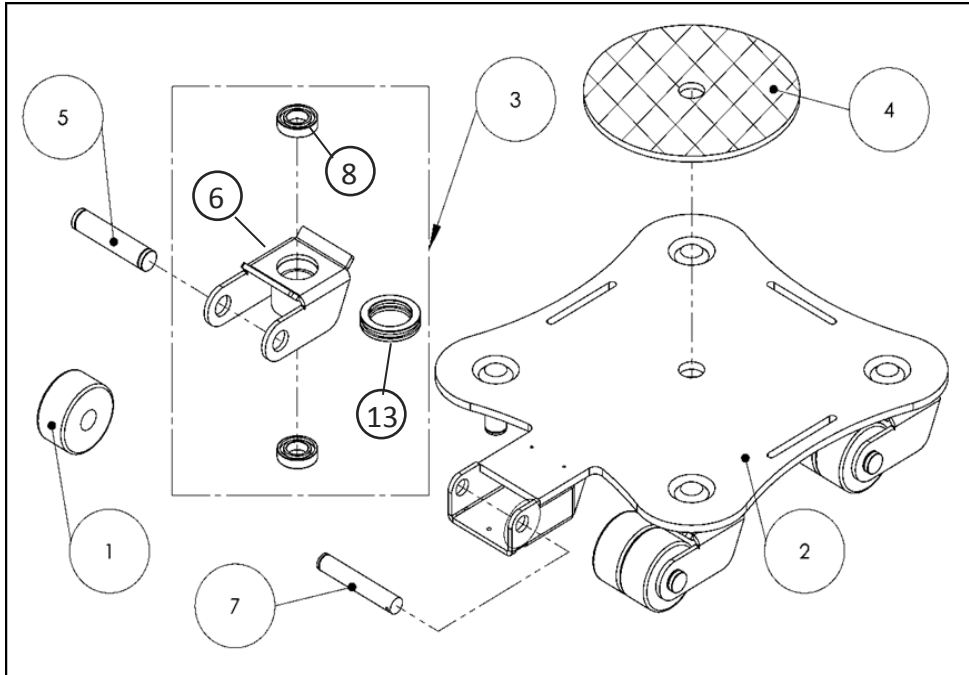


#	Part name
1	Roller (3.3" diameter, 2.3" width JUWAmid)
2	Frame
3	Roller housing complete with bearings, rollers and axle.
4	Rubber load pad
4b	Glue (rubber-to-steel)
5	Axles (with circlips)
6	Roller housing
7	Pulling handle axle with circlip
8	Axial bearing (for roller housing) Includes 1 bearing
10	Towing eye
11	Handle
12	Pulling rod
10+11+12	Pulling handle complete
13	Thrust bearing (for roller housing)

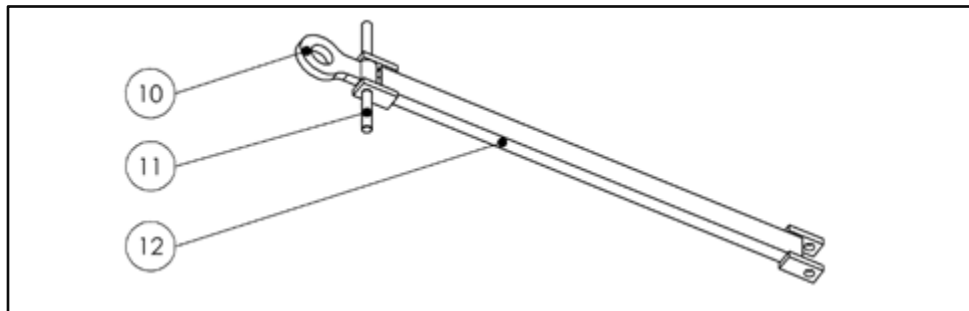


**To order please provide:** Dolly model number, serial number or year built, and part #. If unknown, call us for help.

Model JKB 3 [R3]



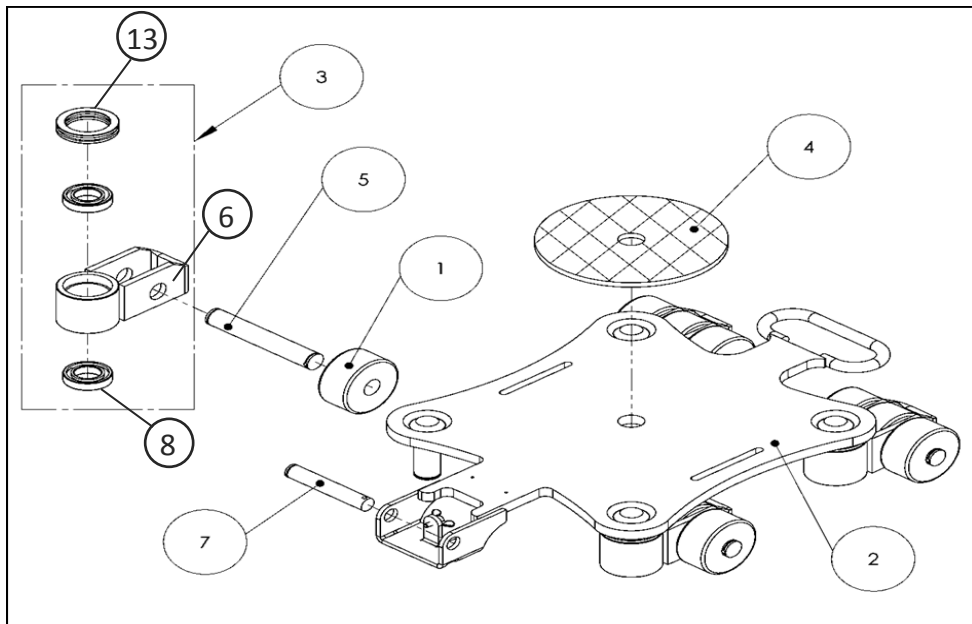
Pulling handle



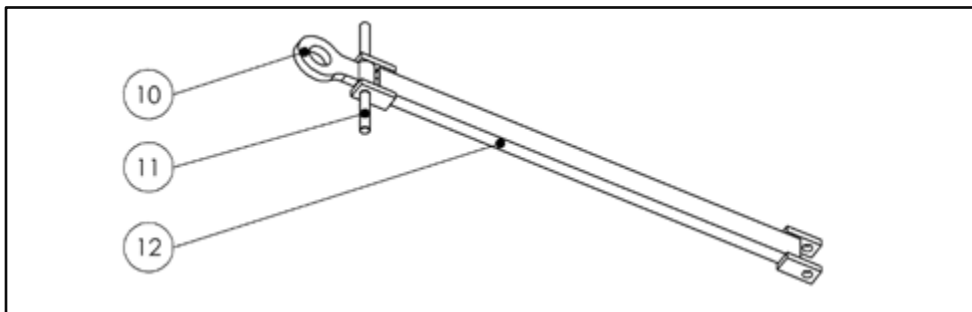
#	Part name
1	Roller (3.3" diameter, 2.3" width JUWamid)
2	Frame
3	Roller housing complete with bearings, rollers and axle.
4	Rubber load pad
4b	Glue (rubber-to-steel)
5	Axles (with circlips)
6	Roller housing
7	Pulling handle axle with circlip
8	Axial bearing (for roller housing) Includes 1 bearing
10	Towing eye
11	Handle
12	Pulling rod
10+11+12	Pulling handle complete
13	Thrust bearing (for roller housing)

**To order please provide:** Dolly model number, serial number or year built, and part #. If unknown, call us for help.

**Model JKB 4 [R4]**



**Pulling handle**

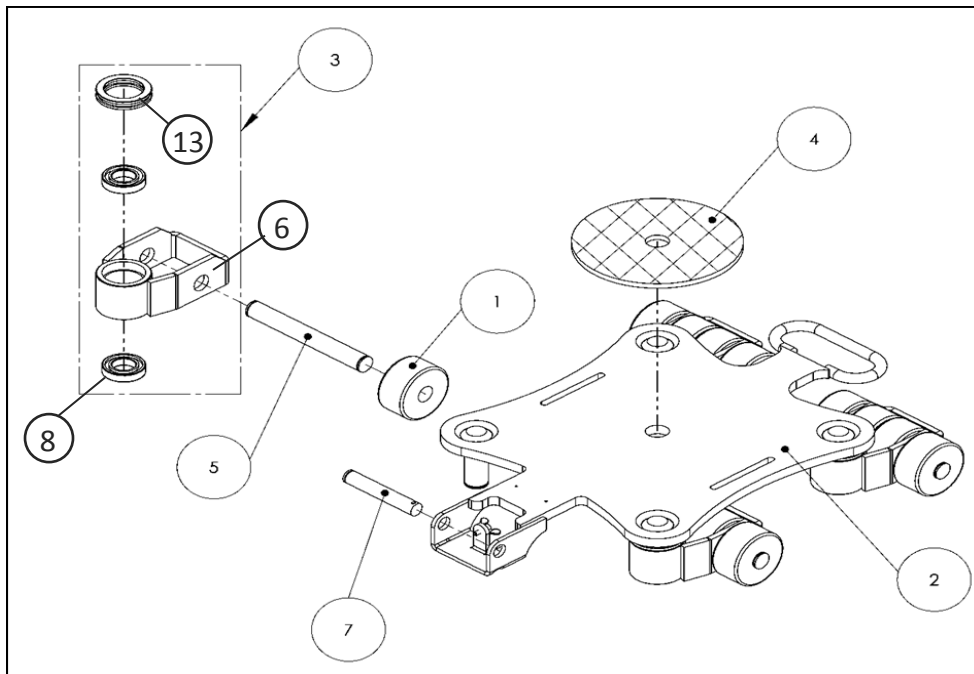


#	Part name
1	Roller (3.3" diameter, 2.3" width JUWAmid)
2	Frame
3	Roller housing complete with bearings, rollers and axle.
4	Rubber load pad
4b	Glue (rubber-to-steel)
5	Axles (with circlips)
6	Roller housing
7	Pulling handle axle with circlip
8	Axial bearing (for roller housing) Includes 1 bearing
10	Towing eye
11	Handle
12	Pulling rod
10+11+12	Pulling handle complete
13	Thrust bearing (for roller housing)

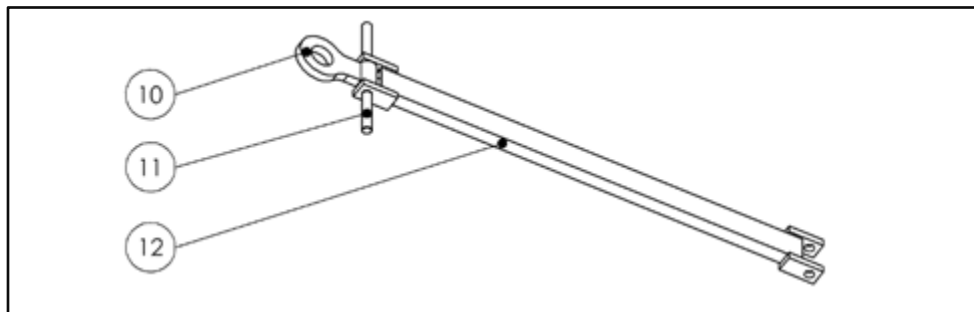


**To order please provide:** Dolly model number, serial number or year built, and part #. If unknown, call us for help.

Model JKB 6 [R6]



Pulling handle

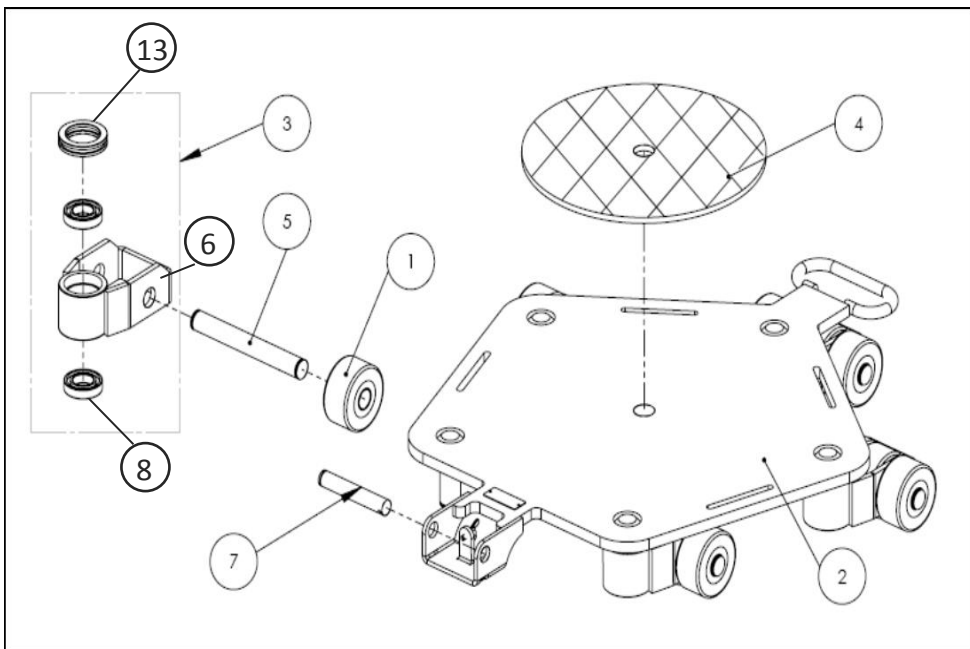


#	Part name
1	Roller (3.3" diameter, 2.3" width JUWAmid)
2	Frame
3	Roller housing complete with bearings, rollers and axle.
4	Rubber load pad
4b	Glue (rubber-to-steel)
5	Axles (with circlips)
6	Roller housing
7	Pulling handle axle with circlip
8	Axial bearing (for roller housing) Includes 1 bearing
10	Towing eye
11	Handle
12	Pulling rod
10+11+1 2	Pulling handle complete
13	Thrust bearing (for roller housing)

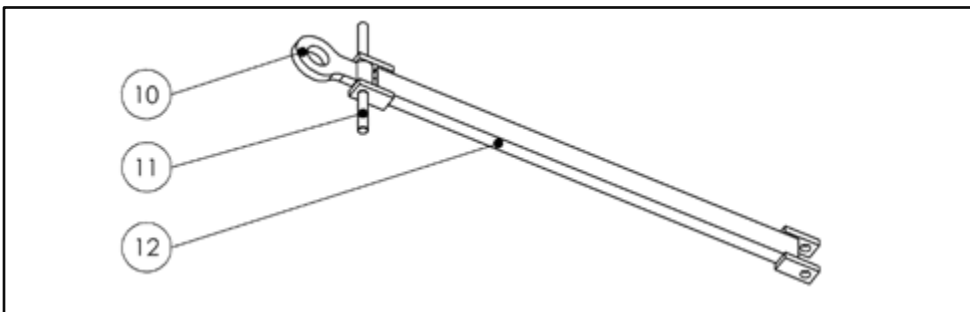


To order please provide: Dolly model number, serial number or year built, and part #. If unknown, call us for help.

Model JKB 7.5 [R7.5]



Pulling handle



#	Part name
1	Roller (3.3" diameter, 2.3" width JUWAmid)
2	Frame
3	Roller housing complete with bearings, rollers and axle.
4	Rubber load pad
4b	Glue (rubber-to-steel)
5	Axles (with circlips)
6	Roller housing
7	Pulling handle axle with circlip
8	Axial bearing (for roller housing) Includes 1 bearing
10	Towing eye
11	Handle
12	Pulling rod
10+11+12	Pulling handle complete
13	Thrust bearing (for roller housing)



JKB 1 K (old)



Standard roller

JUWAmid



Pulling handle



JKB 1,5 K



JKB 3 K



JKB 4 K (old)



Standard roller

1/2 JUWAmid



Other compatible rollers

JUWAthan® Plus

1/2 JUWAmid



JKB 4 K



JKB 5 K (old)



JKB 5 K , JKB 6 K



Pulling handle (with towing eye)



JKB 7,5 K



Connecting bar

