

MACHINE SKATES

Advanced high-strength steel skates with non floor damaging wheels

Load Capacity:
**30 tons each -or-
60 tons combined**

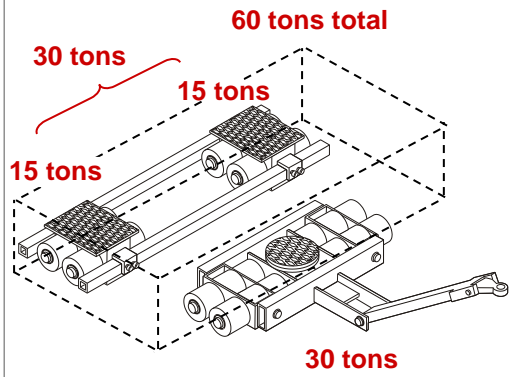


Model A30
Steerable Front



Model B30
Adjustable-Width Rear

Example of Load Distribution



3-point skate systems do not slip during pulling & tugging actions

» Each Model Sold Separately
Mix & Match as Needed! «

| | | |
|---|---|--|
| Included | One steerable skate with non floor marking wheels and pulling handle. | One straight-line 2-part skate with non floor marking wheels and connecting bar. |
| Load Capacity Each | 30 tons • 60,000 lbs | 30 tons • 60,000 lbs |
| Load Capacity Combined A30 + B30 | 60 tons • 120,000 lbs | |
| Height (from floor to top of load pad) | 7.1" | 7.1" |
| Dimensions (Width x Length) | 39.2" x 23.3" without handle | 15.7" x 18.1" each skate part without bars |
| Load Wheel Dimensions (Ø x Width) | 5.5" x 2.3" | 5.5" x 2.3" |
| Supporting Surface (each with anti-slip load pad) | Ø 8.5" | 7.9" x 8.6" |
| Length of Connecting Bar | n/a | 60.6" |
| Pulling Handle length (with towing eye) | 57" | n/a |
| Weight | 298 lbs | 249 lbs |
| Manufacturer • MPN | JUNG • JLB 30 G | JUNG • JFB 30 G |

Free lifetime rigging & technical support hotline!

JUWathan+® Wheels



with Aluminum Core

Patented wheel material is baked in oven over long period for elasticity and extreme toughness!

| | | | | | |
|--------------------|---------------------------------|--|---|--|---|
| Non floor damaging | For smooth and rough floors | Overcomes small obstacles easily by molding around them to keep rolling. | Low floor pressure | Shock absorbent | Superior performance and durability over traditional polyurethane, composite or steel wheels |
| Non floor marking | For floors with cracks and dirt | No stop, up & over action required like with other wheels. | Low break out & low rolling resistance | Reliable under toughest working conditions | |
| | For both inside and outside use | | Low push-pull force and low manpower requirements | | |