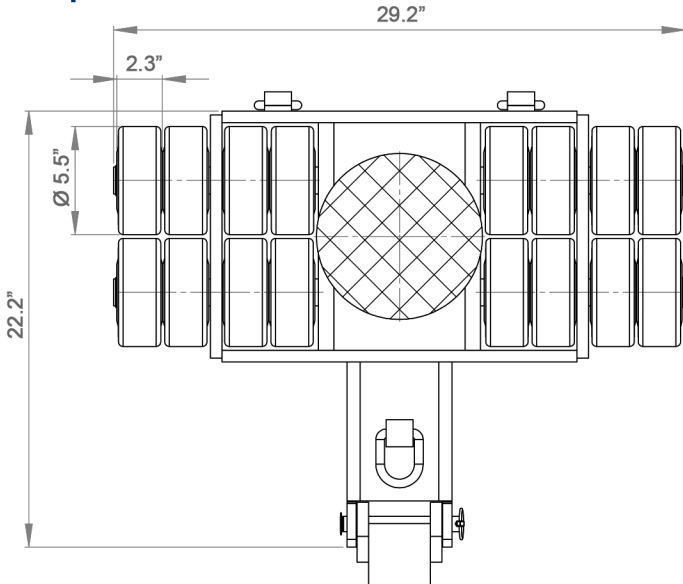


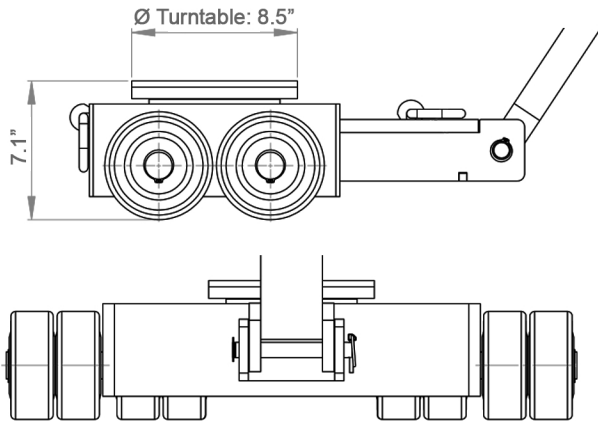
## Dimensions: TRANSPORT DOLLIES

### Model A20

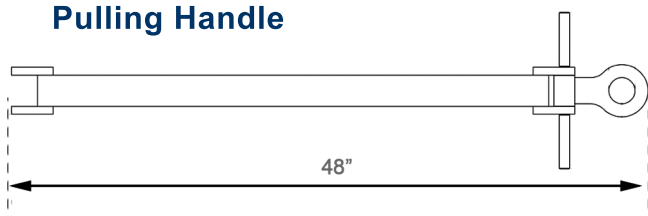
#### Top View



#### Side Views

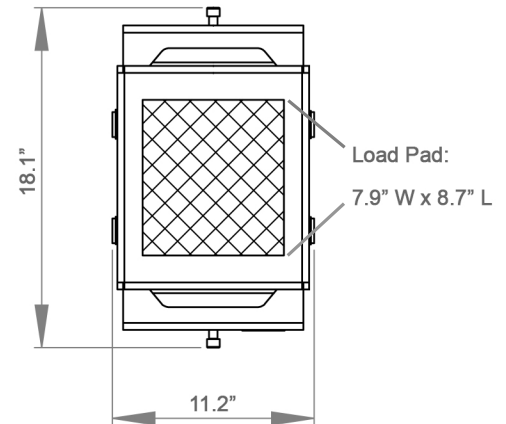


#### Pulling Handle

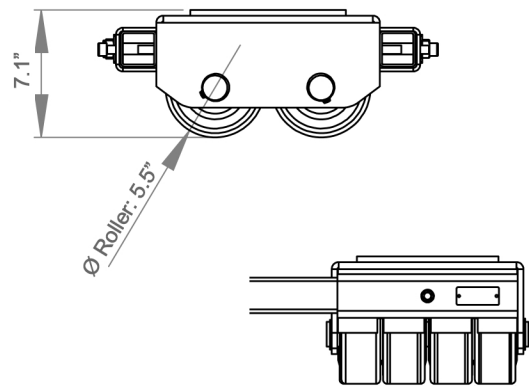


### Model B20

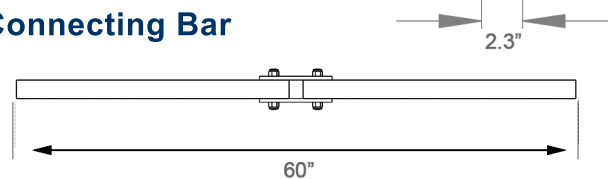
#### Top View



#### Side Views



#### Connecting Bar



For longer needed connecting bar, you can build your own or use dollies without connecting bar. Please talk to your sales rep for details.