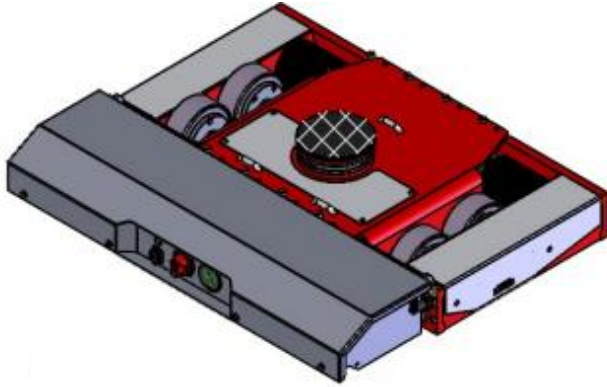


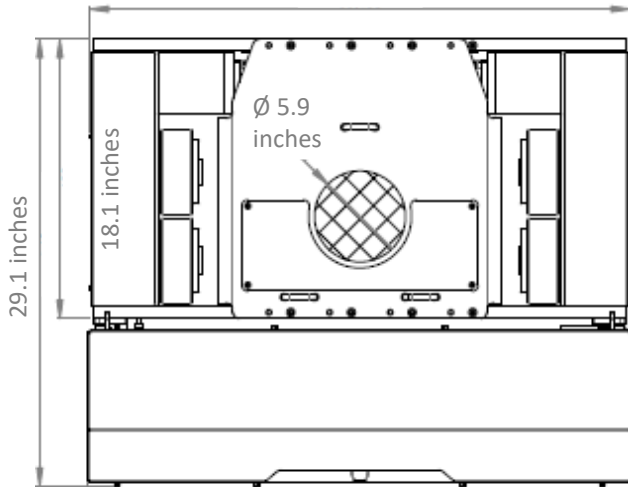
Dimensions: MACHINE SKATES

Model EP5

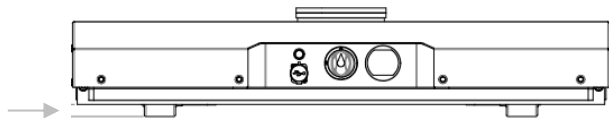


Top View

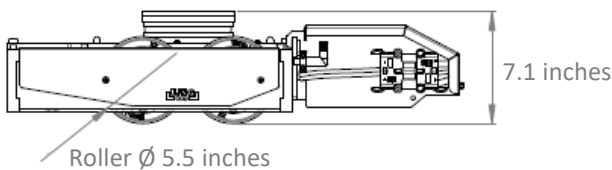
35.0 inches



Side Views

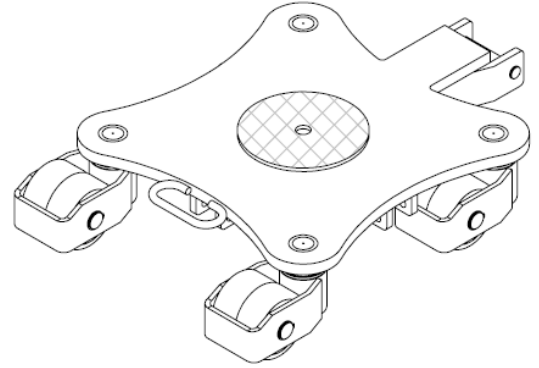


Ground Clearance: 0.8 inches



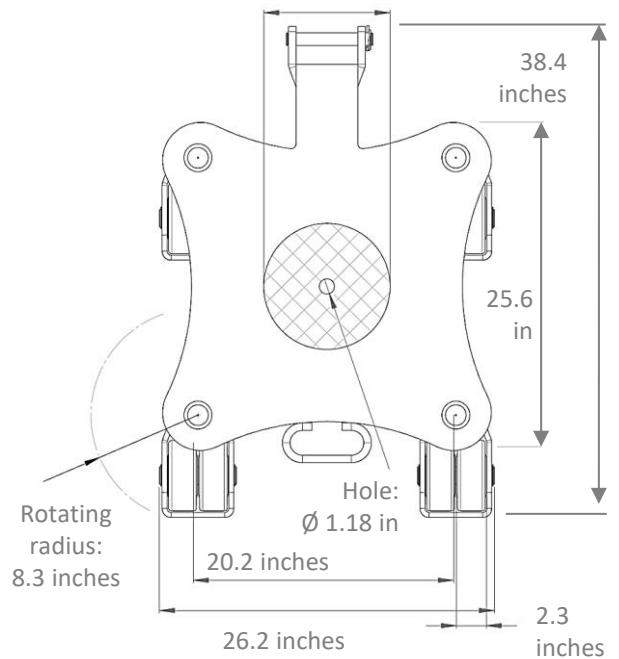
Roller \varnothing 5.5 inches

Model R10



Top View

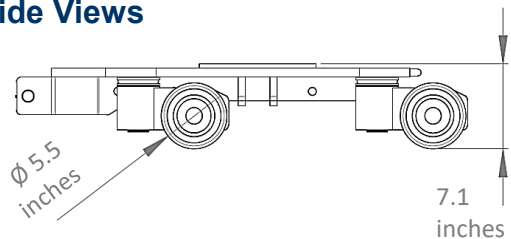
\varnothing 9.8 inches



Rotating
radius:
8.3 inches

Hole:
 \varnothing 1.18 in

Side Views



\varnothing 5.5
inches

7.1
inches