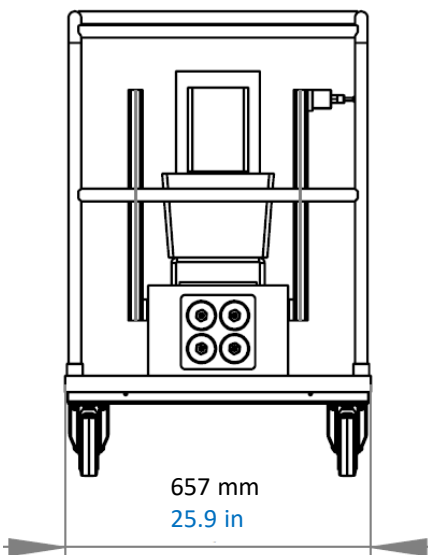
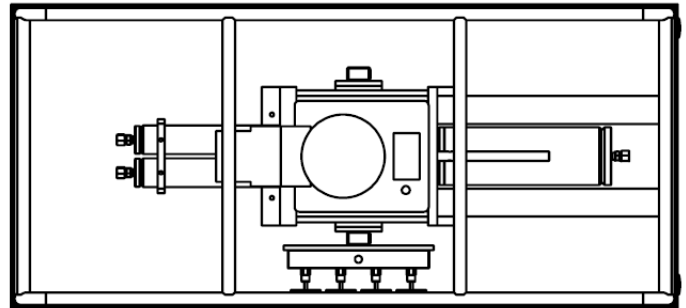
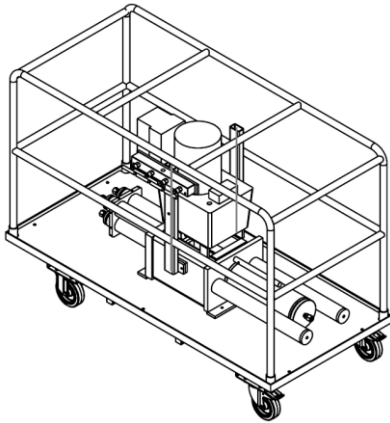


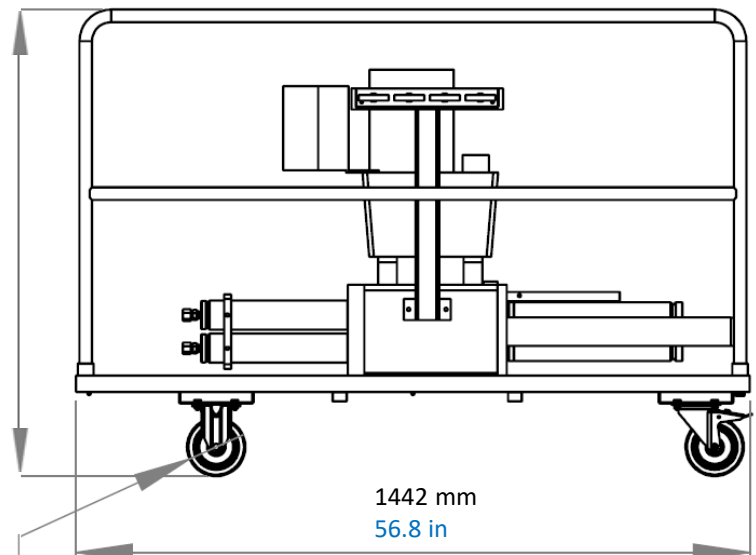
Dimensions: SYNCHRONIZED LIFTING SYSTEM

Model **SLS40**

millimeters (black)
inches (blue)



997 mm
39.3 in



Wheel Diameter
Ø 125 mm
Ø 4.9 inches