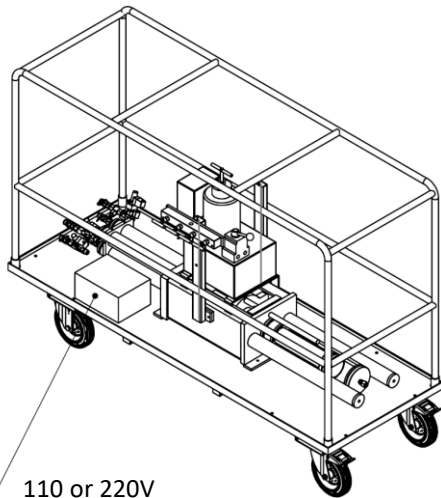


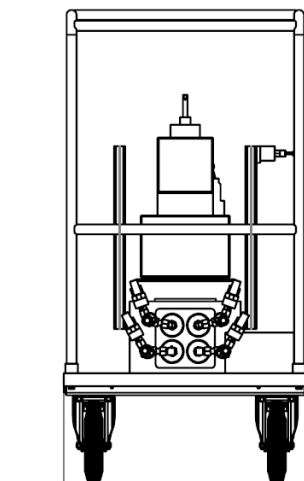
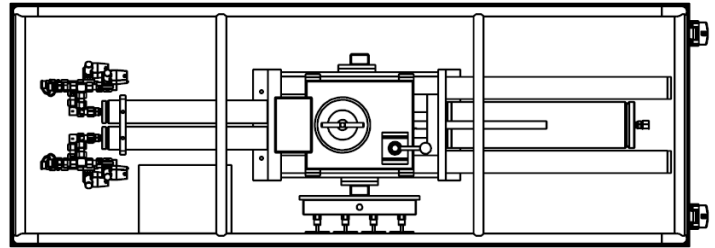
Dimensions: **SYNCRONIZED LIFTING SYSTEM**

Model **SLS80**

millimeters (black)
inches (blue)

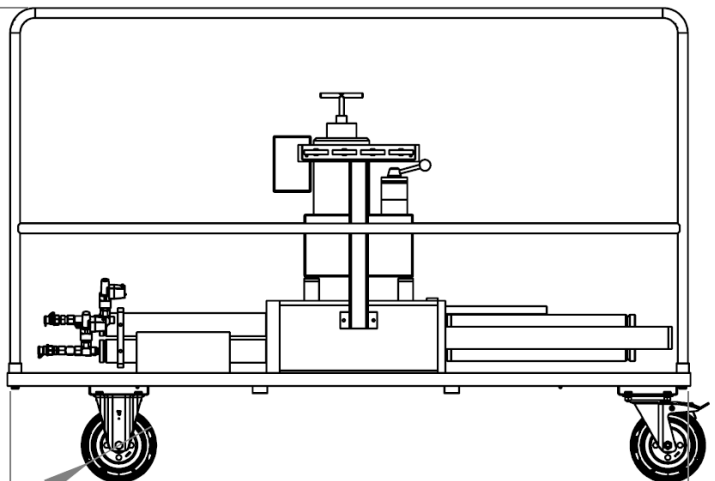


110 or 220V
Converter



657 mm
25.9 in

1277 mm
50.3 in



1823 mm
71.8 in

Wheel Diameter
Ø 199 mm
Ø 7.8 inches