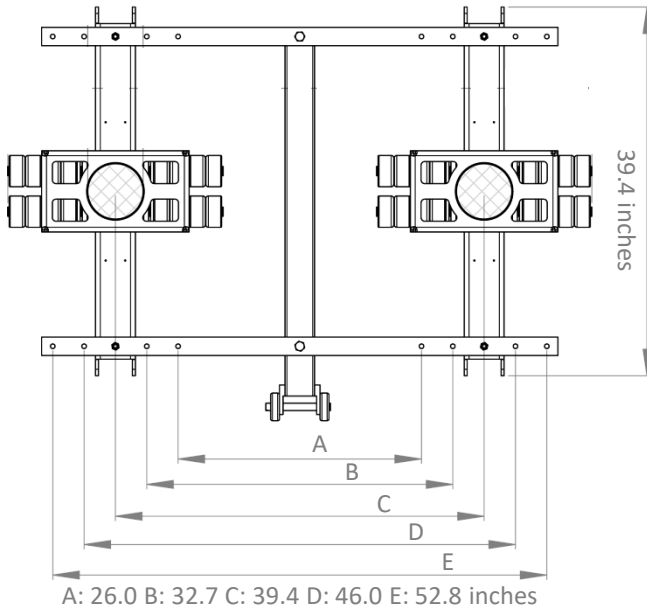


Dimensions: TANDEM MACHINE SKATES

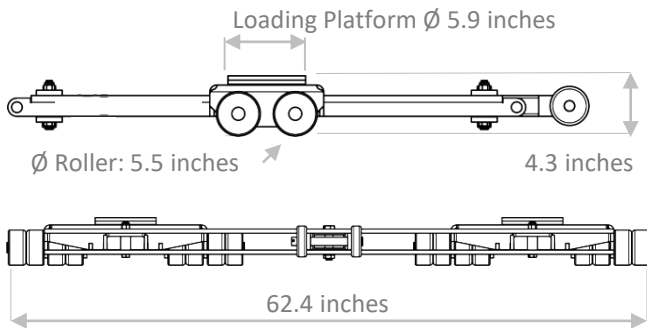
Model T12

Top View



Available option: Fixed width: 89 inches
for use with 8ft wide ISO container

Side Views

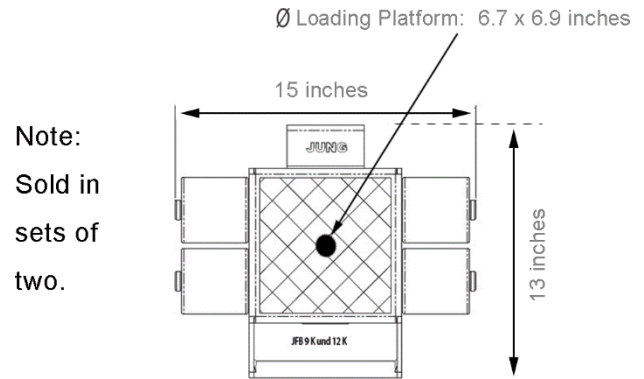


Pulling Handle

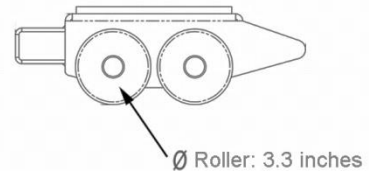


Model B12

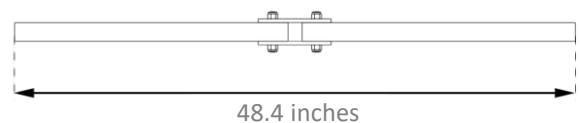
Top View



Side Views



Connecting Bar



Extended connecting bar: 89 inches
also available for 8ft wide ISO container use.