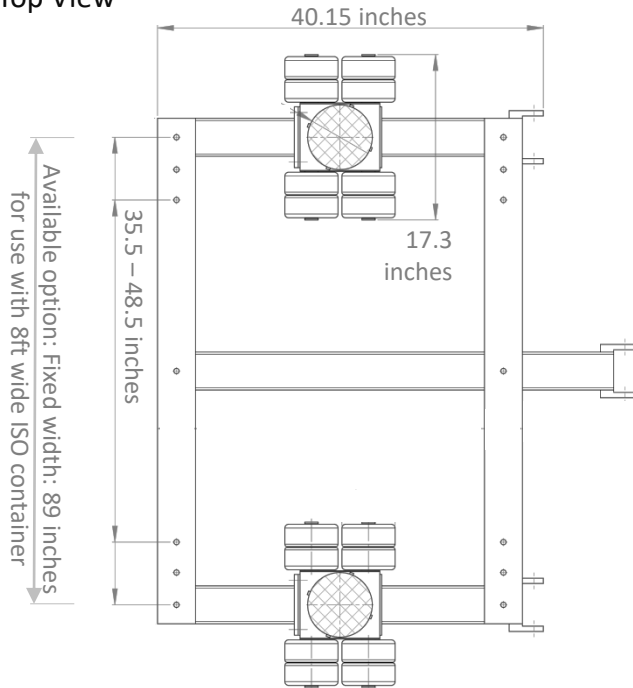


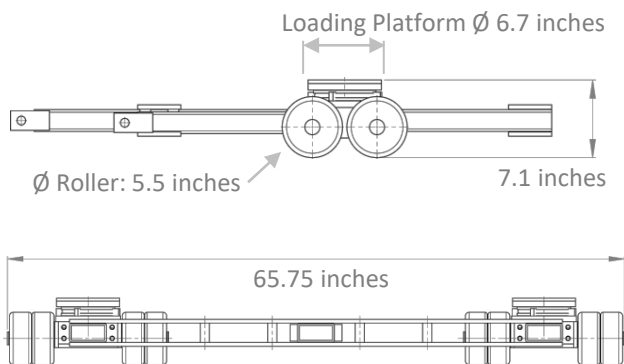
## Dimensions: TANDEM MACHINE SKATES

### Model T20

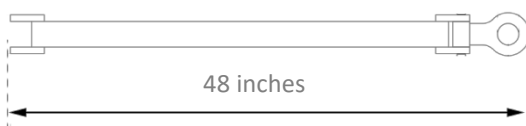
Top View



Side Views

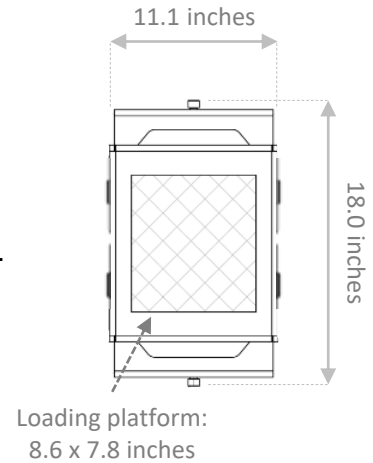


Pulling Handle

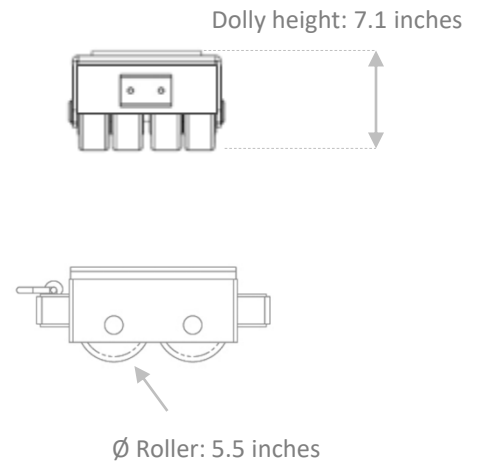


### Model B20

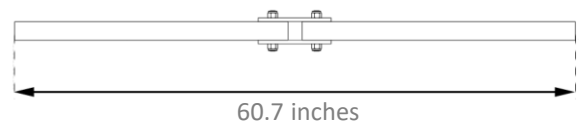
Top View



Side Views



Connecting Bar



Extended connecting bar: 89 inches  
also available for 8ft wide ISO container use.