

OPERATING MANUAL

⚠ Please read before starting work ⚠

REVOLVING TRANSPORT TROLLEY JKB



JKB 1



JKB 3



JKB 4

Type		JKB 1	JKB 3	JKB 4
Load capacity	kg/ lbs	1 000 / 2 200	3 000 / 6 600	4 000 / 8 800
Number of castors	each	3	8	12
Castor dimension \varnothing x L	mm/ inch	75 x 60 / 3 x 2.4"	85 x 40 / 3.3 x 1.6"	85 x 40 / 3.3 x 1.6"
Height	mm/ inch	110 / 4.3"	110 / 4.3"	110 / 4.3"
Supporting surface of load pad \varnothing	mm/ inch	215 / 8.5"	250 / 9.8"	250 / 9.8"
Trolley dimension L x W	mm/ inch	390 x 340 / 15.4 x 13.4"	575 x 460 / 22.6 x 18.1"	690 x 640 / 27.2 x 25.2"
Weight	kg/ lbs	10 / 22	32 / 71	51 / 112

RECOMMENDED USE

Transport trolleys:

- are specially designed for transport of heavy loads on solid level floors in factories. Do not exceed the maximum load capacity recommended by this operating manual.
- are extremely manoeuvrable. Never use trolleys on uneven or declining floors - this can lead to danger due to the potential of run-away loads.
- **Must not** be used:
 - for transport on public streets and places
 - for transport of people or animals
 - in extreme environments (e.g. under hazardous, explosive, flammable or corrosive conditions)

Use only as directed. The manufacturer or supplier is not liable for any damage resulting from improper use of the trolleys. Accidents resulting from improper use are the responsibility of the user.

The user should read these operating and service instructions carefully before using the trolleys. In particular, attention should be paid to the

Safety Instructions on page 3

CONTENTS

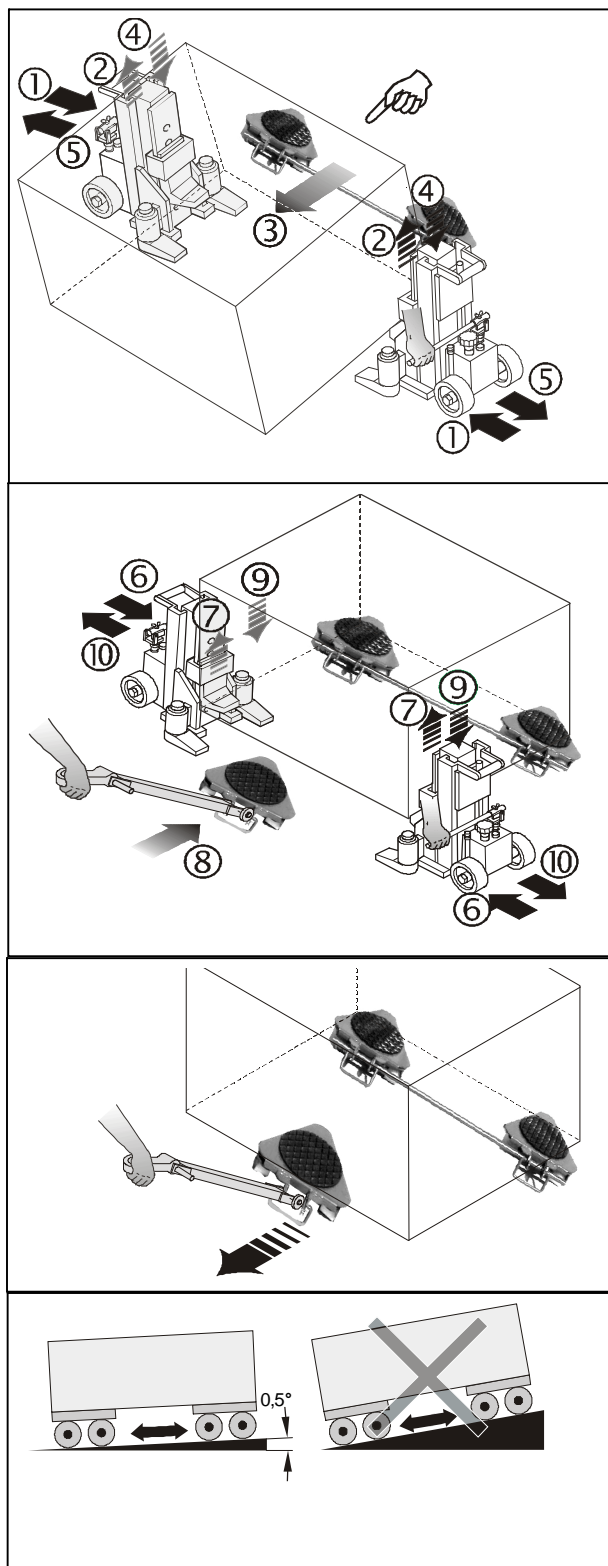
Technical Data, application.....	1
General information, operating instructions.....	2
Safety instructions, Spare parts.....	3
Declaration of conformity.....	4



OPERATING MANUAL

⚠ Please read first before starting work ⚠

Revolving Transport Trolleys JKB



- For safer lifting of loads we recommend hydraulic jacks by JUNG.
- The weight of the loads may not exceed the load capacity of the transport trolleys. If centre of gravity is outside the centre of load please ensure that load weight does not exceed the load capacity of each trolley cassette.
- Each trolley should be fixed to the load when moving a load over an uneven floor.
- Please follow the sequences described below when loading / unloading.

LOADING

- ① ② Lift up rear end of load and place two trolleys underneath. If necessary lift up step by step alternately front and rear end. Use squared timber to secure the load between the steps to avoid big angle of the machine surface until you reach the height of the cassettes.
- ③ Connect two side-by-side cassettes with a connecting rod for affixed support on uneven surfaces.
☞ **Adjust connecting rod and clamp it if necessary!**
- ④ Place the load slowly and carefully on the cassettes.
Attention! Load may tilt
- ⑤ Remove jacks.
- ⑥ ⑦ Lift up front end of load and place one or two trolleys underneath.
- ⑧ When using three trolleys distribute the load cassettes in such a way that the weight is evenly divided across all cassettes.
Attention! Take the load's centre of gravity into consideration!
- ⑨ Place the load slowly and carefully on the cassettes.
- ⑩ Remove jacks.

UNLOADING (Reverse the loading steps)

Lift up the front end of the load and remove first the centre placed cassette. Lower the front end of the load slowly and carefully to the ground or to a suitable base. Lift up rear end of the load and remove connected cassettes. Lower the rear end of the load slowly and carefully to the ground or to a suitable base. Lower the load step by step to the floor.

TRANSPORT

Ensure that the ground intended for transport is clean and free of any loose objects. Move the load by pushing manually or using a suitable towing vehicle. Ensure that the cassettes are always securely positioned whilst moving.



- Revolving transport trolleys do not have any in-built braking system:
Never exceed 1 mph when moving!
- Do not move on a slope of more than 0.5 degree.
- Only use suitable towing vehicles.
Make sure that the load does not exceed the permissible towing weight.
- Always use the connection bar delivered with the rear cassettes. This ensures that the cassettes run parallel under the weight as long as the surface is hard, even and clean.
On surfaces that are not perfectly smooth, level and clean ensure that all trolleys are affixed to the load in a suitable manner.

OPERATING MANUAL

⚠ Please read first before starting work ⚠

Revolving Transport Trolley JKB

DESCRIPTION

The transport trolley consists of a steel frame with a rubber load pad. The castor wheel units are mounted under a horizontal thrust bearing which allows 360° manoeuvrability. The double roller system of JKB 3 and JKB 4 reduces rolling and turning resistance to a minimum. Connecting bars on JKB 1 can be fixed without tools by clamping down the handle.

COMBINATION POSSIBILITIES

Set combinations find multi-purpose use. Same loading height as K-Series transport trolleys allows for interchange ability. Each cassette fitted to connect a handlebar for manual transport.

List of spare parts

Pos.		Type JKB 1	Type JKB 3	Type JKB 4
		Spare part no.	Spare part no.	Spare part no.
①	Rubber load pad	L 18 14 001	No 05 017	No 05 017
②	Castor wheel	95 050 079-E	95 050 088-P	95 050 088-P
③	Connecting rod	14 060 082-V	14 030 085-V	14 040 085-V
④	Handlebar with grip	14 060 082-L	14 030 085-L	14 030 085-L
⑤	Handle grip	92 010 019-B	92 010 019-B	92 010 019-B

WARRANTY

We grant a 24-month warranty on all units, when used as directed and under observance of current terms and conditions. Any unauthorised modifications to the trolleys will void this guarantee.

REPAIRS, SERVICE

Any repairs which may become necessary after years of rigorous use can be carried out promptly and economically by us. Please request an estimate. At your request we will offer a fixed price for annual service on your device. Please contact us in writing or by telephone:

Service – Number:
++49 – (0)7151 / 30393 - 0

Please contact us for special requirements of your transport with revolving transport trolleys.

PROTECTIVE EQUIPMENT, SAFETY INSTRUCTIONS

Before starting work, these instructions must be read in their entirety by all operating staff (i.e. all personnel who have received instructions to carry out the lifting and transport operations).

The operator must ensure that other persons remain at a safe distance of 1.5 times the height of the load (i.e. clear of the danger zone). All members of the operating personnel must wear safety footwear with steel toe caps.

For safe working consult and adhere to the local general safety regulations of your country. In addition consult and adhere to the regulations specified by your industry, operational area and operation purpose.

Jung-Equipment is designed for use under usual atmospherically conditions and temperatures between -5° and 45° C (23° and 113° F).

All operating personnel working with the JUNG equipment must be instructed regularly on safe working conditions by a security instructor or a safety expert.

Training must be administered via personal instructions. Other forms of training including written regulations or manuals and/or announcement on signs are not adequate.

Before starting the transport of the load the user must ensure that:

- No person shall work in the close vicinity of the load and no person shall handle anything underneath the load.
- The load should not be left unattended when supported on the revolving transport trolleys.
- No unauthorised person or anyone not familiar with its operation should attempt to use the revolving transport trolleys.
- Secure the load from rolling away (with appropriate means).
- Make sure that the transport route is clean and level.