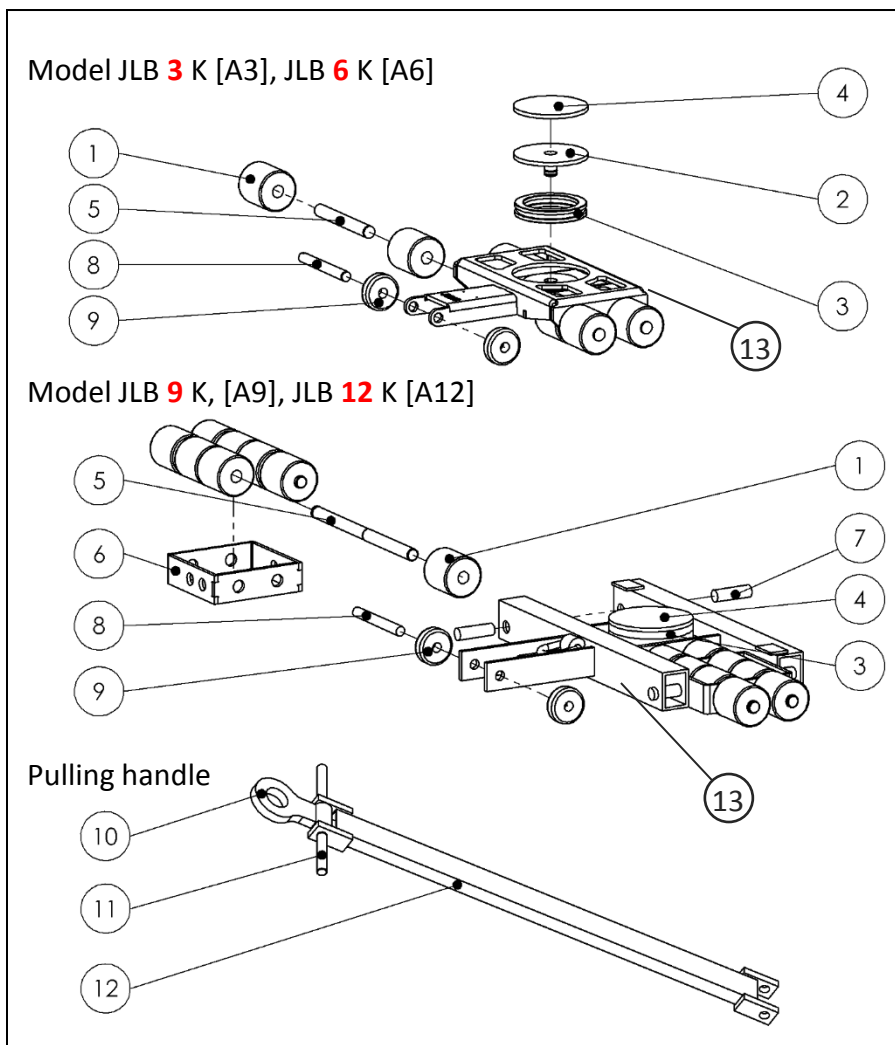




To order please provide: Dolly model number, serial number or year built, and part #. If unknown, call us for help.



#	Part name
1	Roller (3.3" diameter JUWATHAN)
2	Turntable
3	Thrust bearing
4	Rubber load pad
4b	Glue (rubber-to-steel glue)
5	Axle (with circlips)
6	Roller Cassette
7	Frame bolt stud
8	Pulling rod axle (with circlips)
9	Support wheel
10	Towing eye (not on JLB 3)
11	Handle
12	Pulling rod
10+11+12	Pulling handle complete
13	Frame



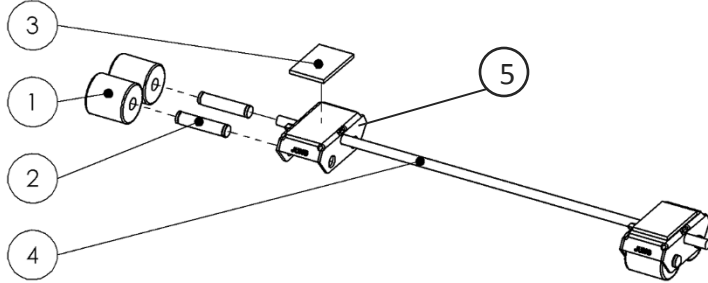
Spare parts list
K-Series Transport dollies



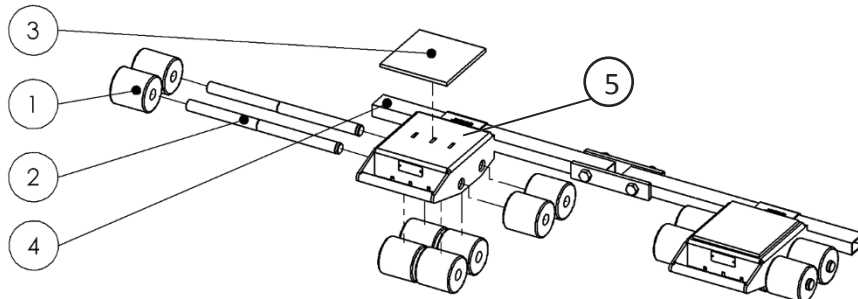
Tel: (800) 786-6112
 CustomerService@Toolwell.com

To order please provide: Dolly model number, serial number or year built, and part #. If unknown, call us for help.

Model JFB **3** K [B3]



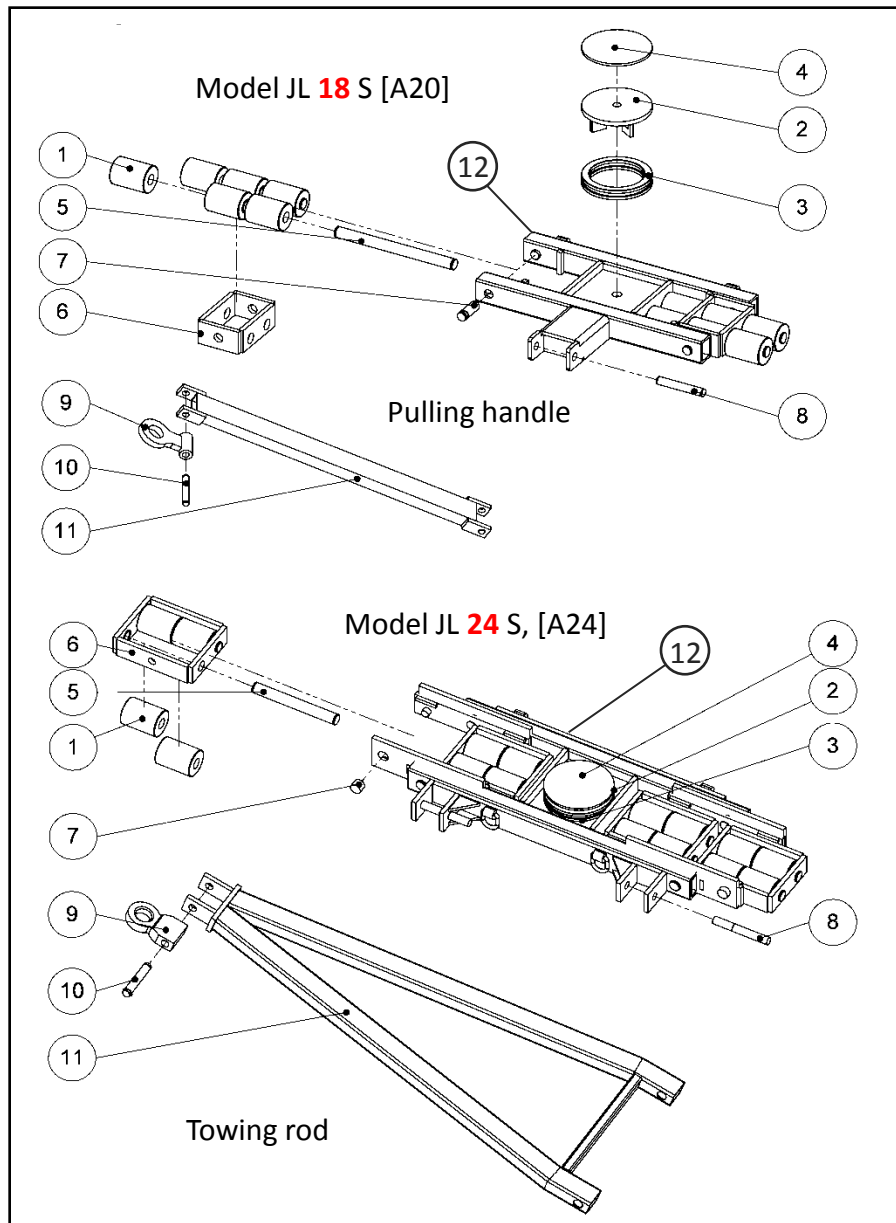
Model JFB **6** K [B6], JFB **9** K [B6], JFB **12** K [B6], JFB **14** K [B14]



#	Part name
1	Roller (3.3" diameter JUWathan)
2	Axle (with circlips)
3	Rubber load pad
3b	Glue (rubber-to-steel glue)
4	Connecting bar
5	Frame



To order please provide: Dolly model number, serial number or year built, and part #. If unknown, call us for help.

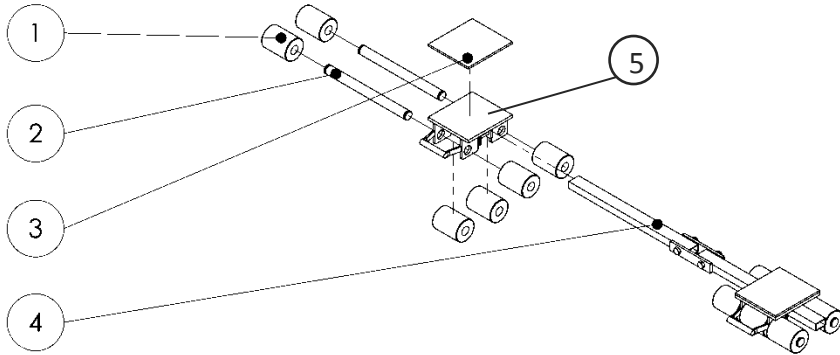


#	Part name
1	Roller (3.5" diameter JUWathan)
2	Turntable
3	Thrust bearing
4	Rubber load pad
4b	Glue (rubber-to-steel glue)
5	Axle (with circlips)
6	Roller Cassette
7	Frame bolt stud
8	Pulling rod axle (with circlips)
9	Towing eye
10	Towing eye axle (with circlips)
11	Pulling rod
12	Frame
9+10+11	Towing rod complete

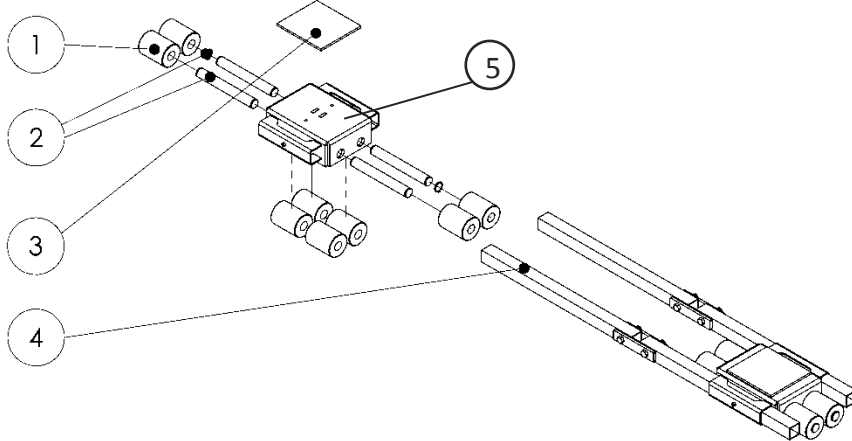


To order please provide: Dolly model number, serial number or year built, and part #. If unknown, call us for help.

Model JF **18** S [B20]



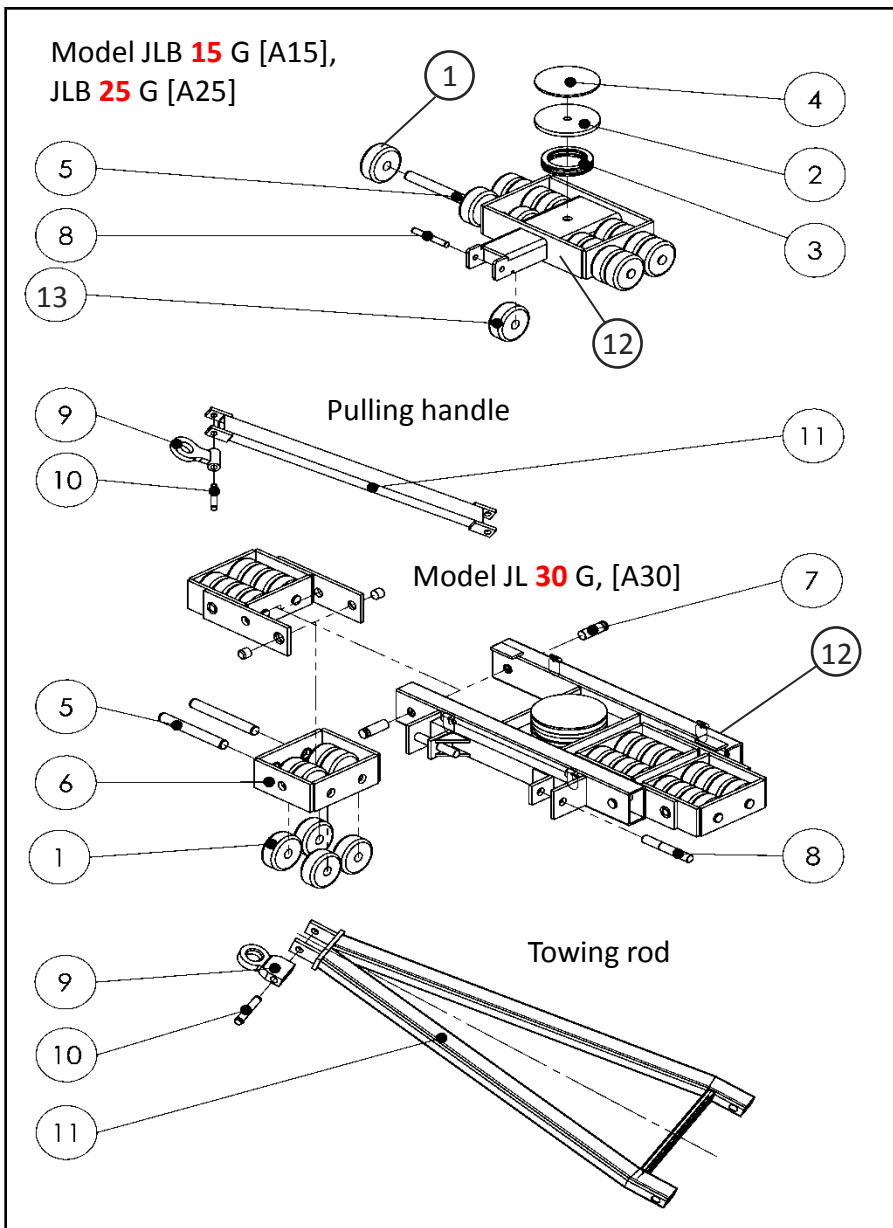
Model JFB **24** S [B24]



#	Part name
1	Roller (3.5" diameter JUWathan)
2	Axle (with circlips)
3	Rubber load pad
3b	Glue (rubber-to-steel glue)
4	Connecting bar
5	Frame



To order please provide: Dolly model number, serial number or year built, and part #. If unknown, call us for help.

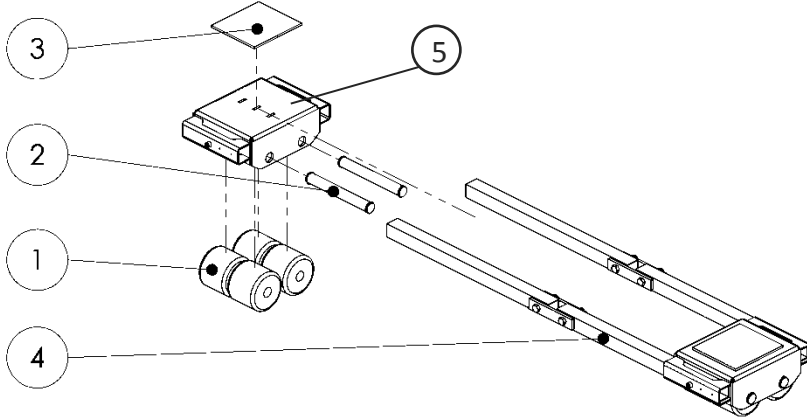


#	Part name
1	Roller (5.5" diameter JUWAtan) <i>Note: Older full-size rollers (width: 5.5") have been replaced by improved half-size rollers (width: 2.3").</i>
2	Turntable
3	Thrust bearing
4	Rubber load pad
4b	Glue (rubber-to-steel glue)
5	Axle (with circlips)
6	Roller Cassette
7	Frame bolt stud
8	Pulling rod axle (with circlips)
9	Towing eye
10	Towing eye axle (with circlips)
11	Pulling rod
9+10+11	Towing rod complete
12	Frame
13	Support wheel

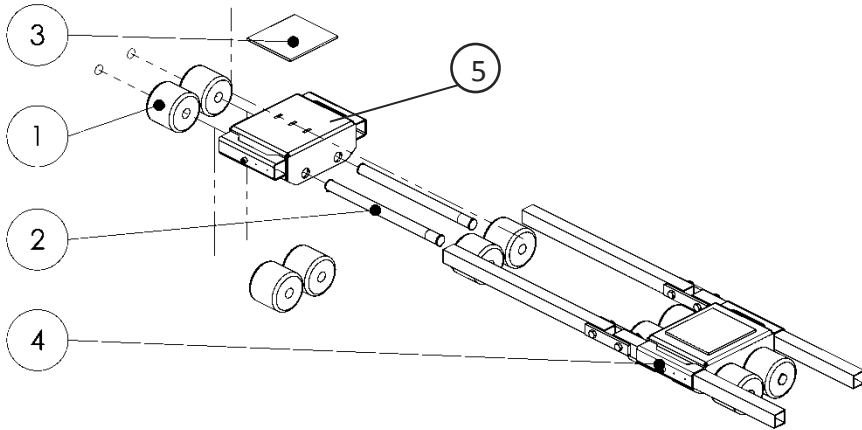


To order please provide: Dolly model number, serial number or year built, and part #. If unknown, call us for help.

Model JFB 15 G [B15]



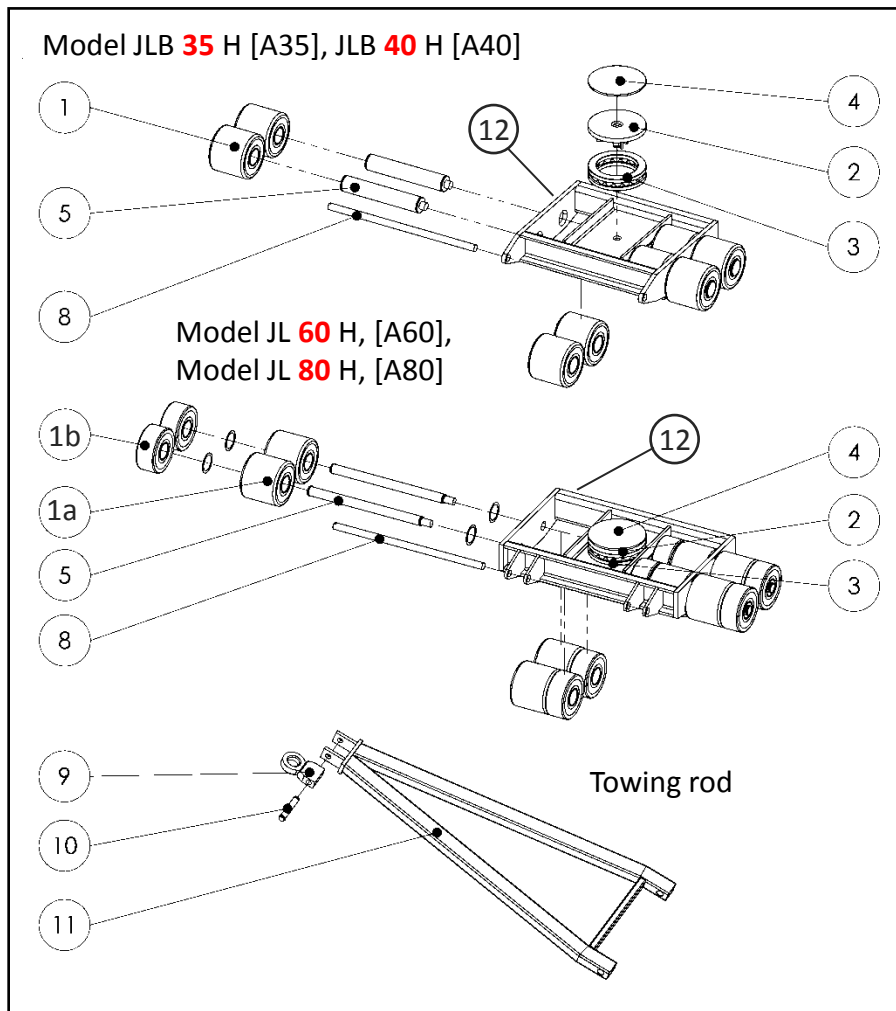
Model JFB 25 G [B25], Model JFB 30 G [B30]



#	Part name
1	Roller (5.5" diameter JUWathan) <i>Note: Older full-size rollers (width: 5.5") have been replaced by improved half-size rollers (width: 2.3").</i>
2	Axle (with circlips)
3	Rubber load pad
3b	Glue (rubber-to-steel glue)
4	Connecting bar
5	Frame



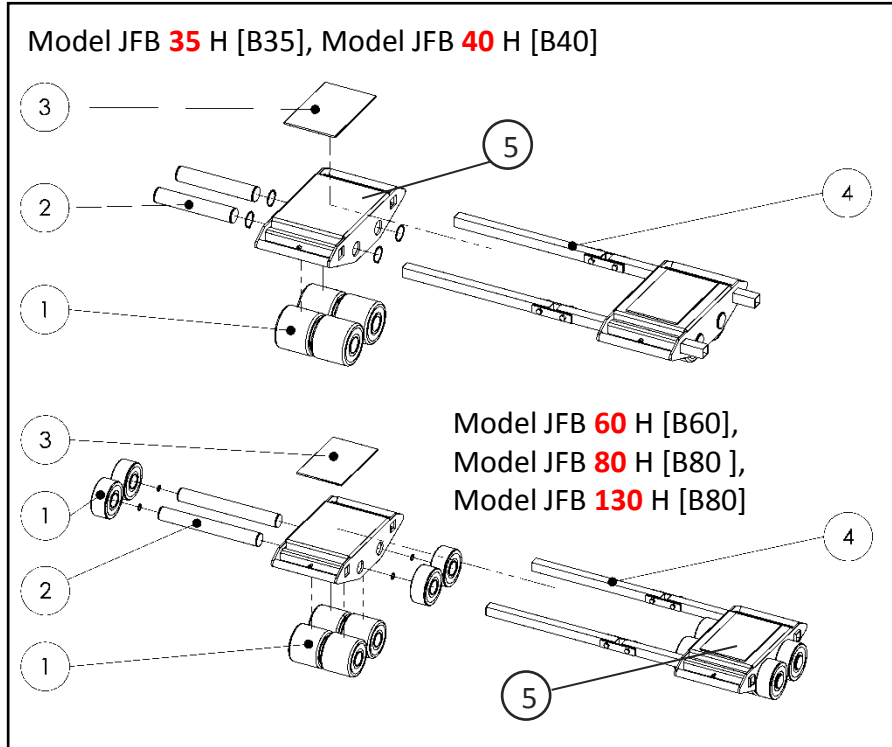
To order please provide: Dolly model number, serial number or year built, and part #. If unknown, call us for help.



#	Part name
1a	"Full-size" Roller (6.7" width, 7.9" diameter JUWathan)
1b	"Half-size" Roller (3.3" width, 7.9" diameter JUWathan)
2	Turntable
3	Thrust bearing
4	Rubber load pad
4b	Glue (rubber-to-steel glue)
5	Axle (with circlips)
8	Pulling rod axle
9	Towing eye
10	Towing eye axle (with circlips)
11	Pulling rod
9+10+11	Towing rod complete
12	Frame



To order please provide: Dolly model number, serial number or year built, and part #. If unknown, call us for help.



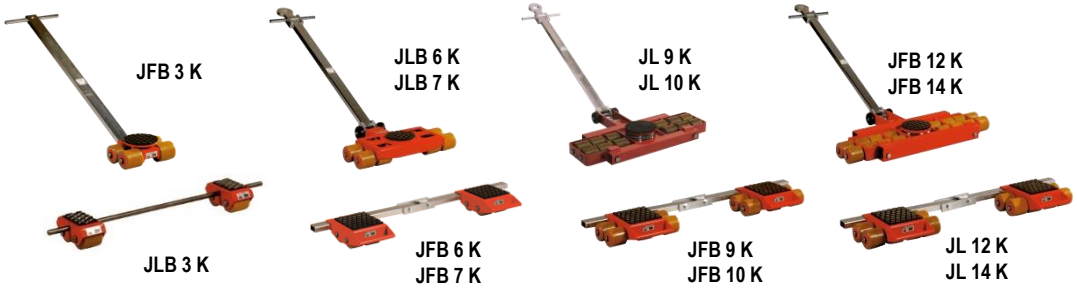
#	Part name
1a	“Full-size” Roller (6.7” width, 7.9” diameter JUWathan)
1b	“Half-size” Roller (3.3” width, 7.9” diameter JUWathan)
2	Axle (with circlips)
3	Rubber load pad
3b	Glue (rubber-to-steel glue)
4	Connecting bar
5	Frame



Spare parts list
Rollers

Toolwell™

Tel: (800) 786-6112
CustomerService@Toolwell.com



Standard ▶
▼ Other

JUWathan® plus



JUWathan® Professional



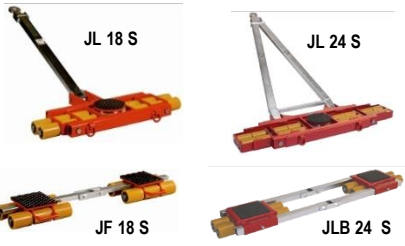
JUWAmid



1/2 JUWAmid



Steel



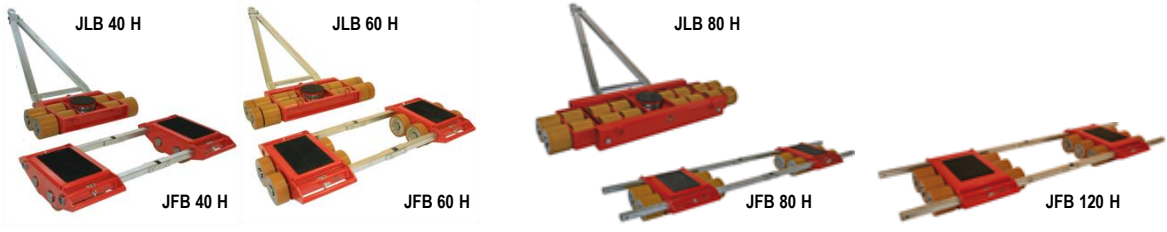
JUWathan® "S"



Steel



JUWathan® plus "G"



JUWathan® "H"

