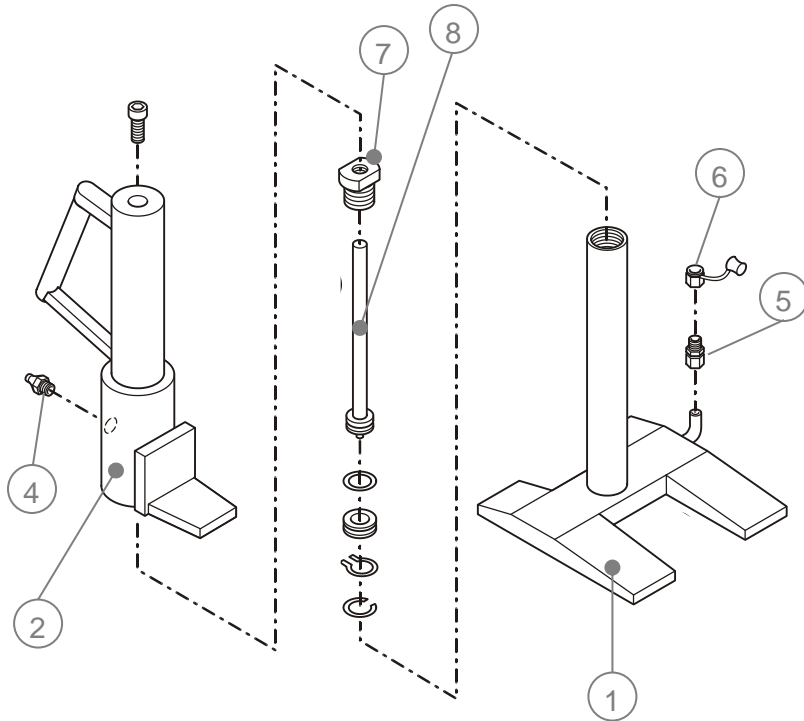




Model JHS 5 [C5], JHS 10 [C10]



#	Part name
1	Housing
2	Slide assembly
3	Seal kit
4	Breather valve
5	Screw connector
6	Nipple
7	Guiding nut
8	Lifting piston complete

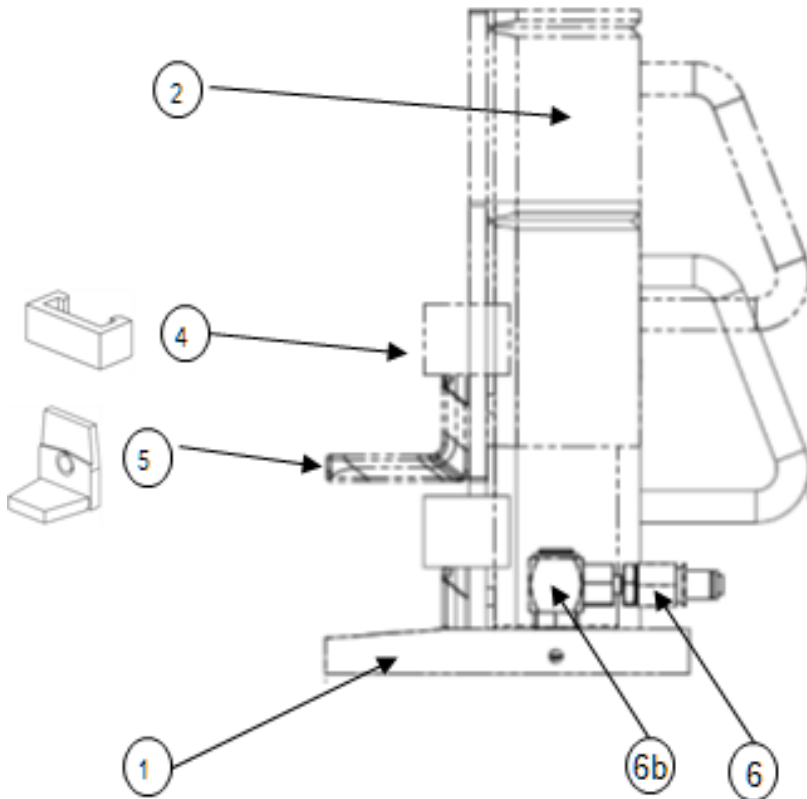
We are here to help. Call us to troubleshoot.

To order parts please provide:

- Jack model number.
(JHS 5, JHS 10)
- **Due to a design change, we also require the serial number or year built to match up some of the parts.**
- Part #.



Model JHS **10** ku [S10]



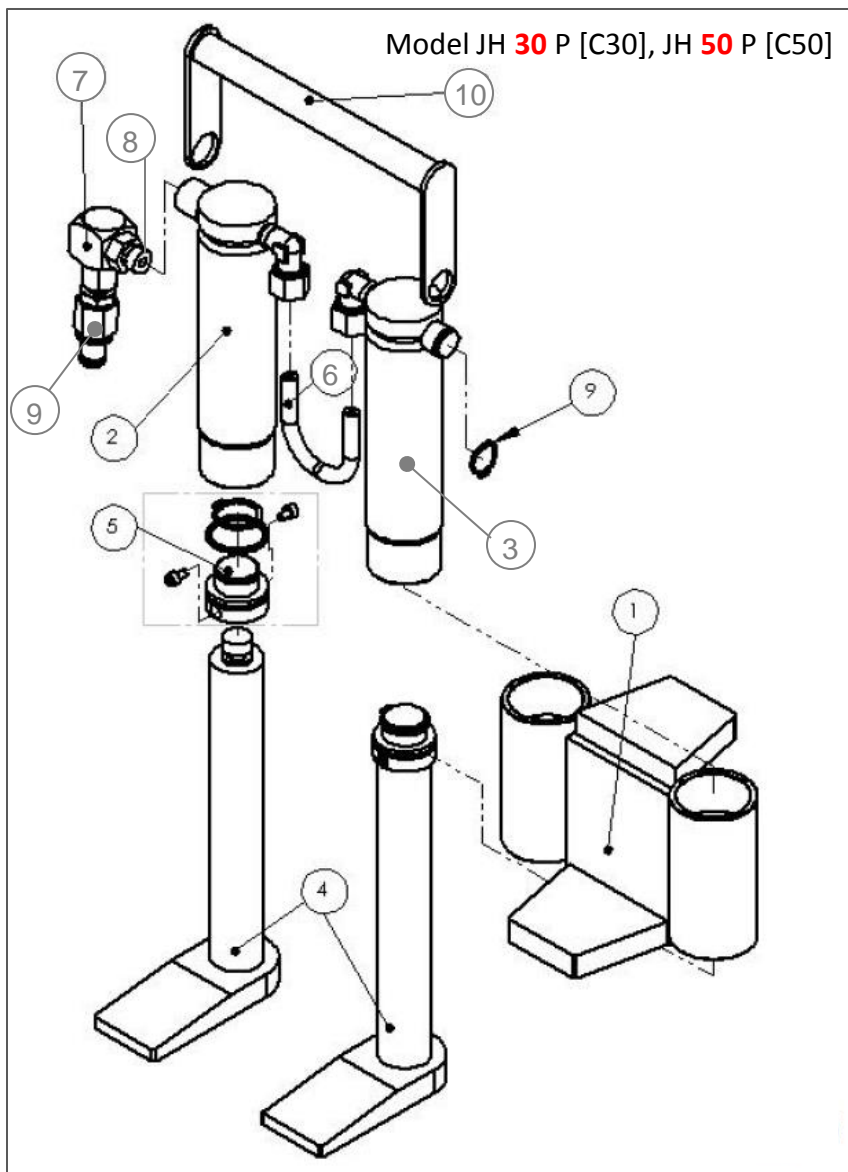
#	Part name
1	Housing
2	Slide assembly
3	Seal kit
4	Bracket
5	Swiveling toe
6	Nipple
6b	Elbow

We are here to help. Call us to troubleshoot.

To order parts please provide:

- Jack model number.
(**JHS 10 ku**)
- Part #.

We may also require the serial number or year built to match up some of the parts if there was a design change.



#	Part name
1	Toe
2	Slide assembly <u>with</u> side connection
3	Slide assembly <u>without</u> side connection
4	Foot (one each)
5	Guiding nut
6	U-pipe
7	Elbow
8	Screw-in fitting
9	Nipple
10	Handle
11	Seal kit

We are here to help. Call us to troubleshoot.

To order parts please provide:

- Jack model number.
(JH 5-6-10-15-20 G-plus)
- Part #.

We may also require the serial number or year built to match up some of the parts if there was a design change.