

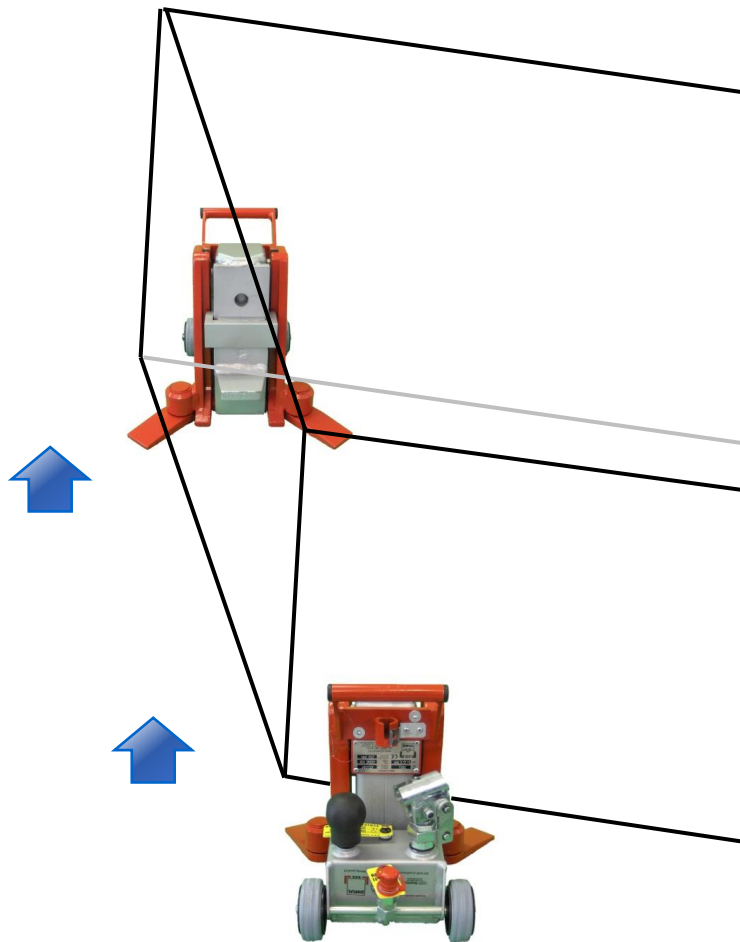
How to Toe Jacks with machine skates



Made in Germany

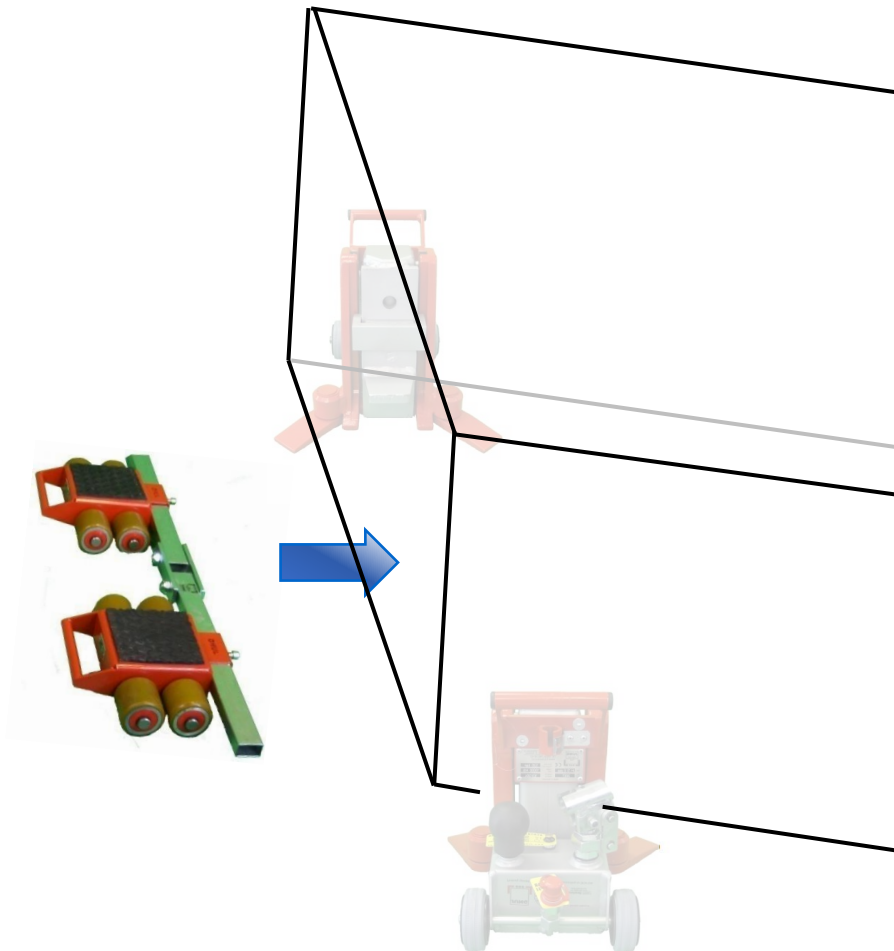
© Toolwell, Inc. - all rights reserved -

Distributed by
Toolwell
North America



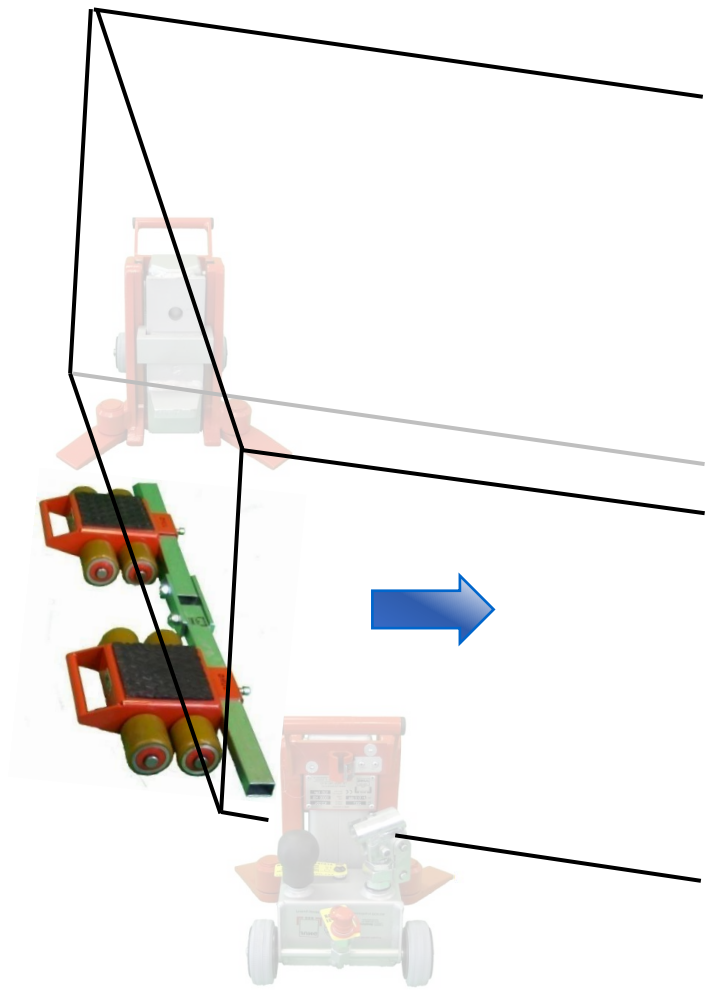
Step 1:

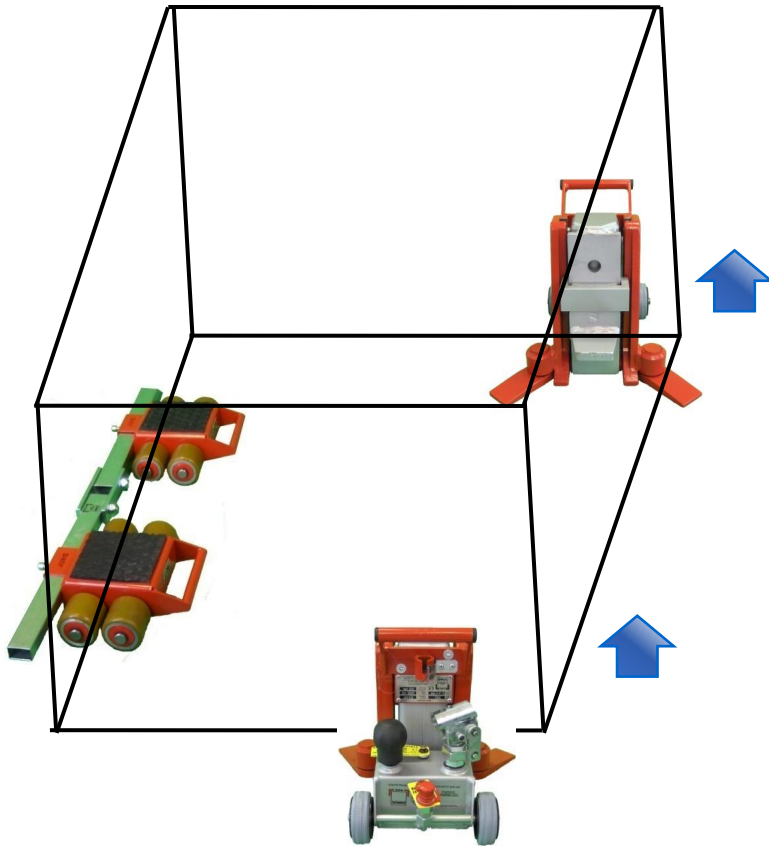
Lift-up the back end of the load first. You can use one or two jacks simultaneously.



Step 2:

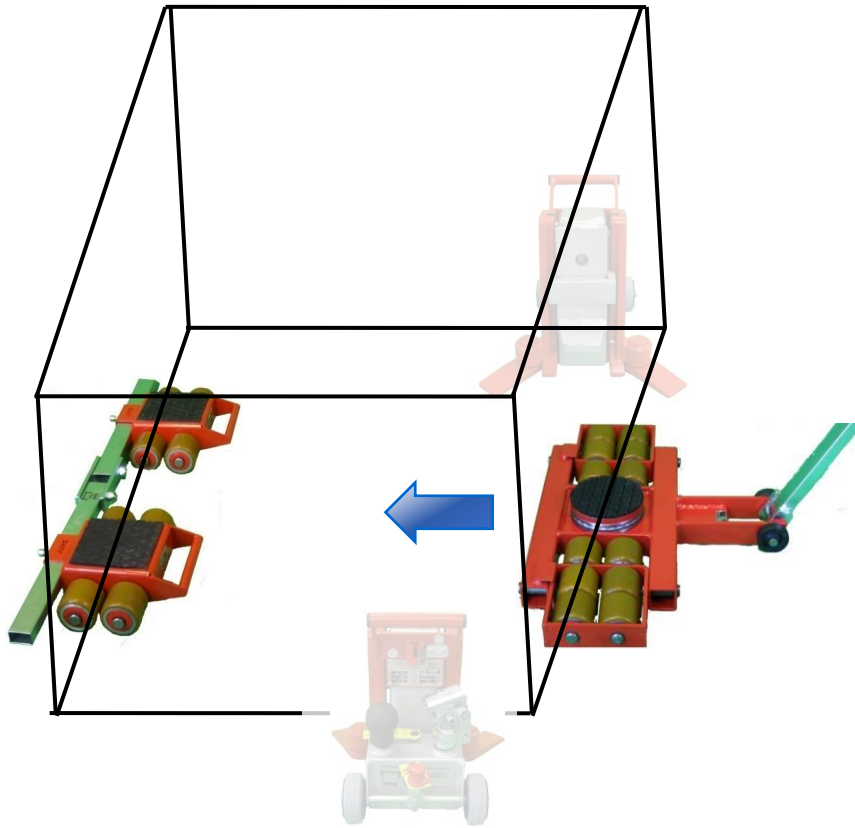
Slide the rear dollies underneath the load, then lower it onto the dollies.





Step 3:

Now lift up the
other end of
the load.



Step 4:

Slide the single
dolly
underneath.



Lower the load
onto the dolly.

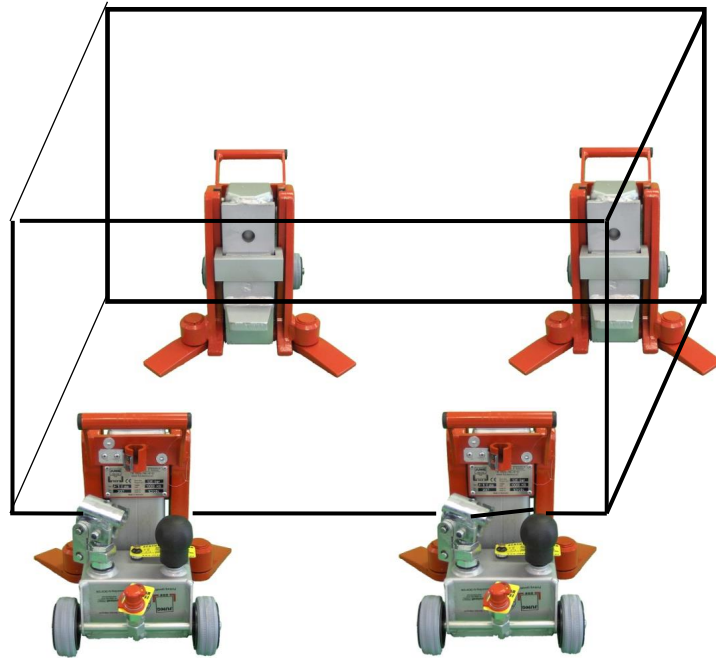


Step 5:

Now push the load. The pulling handle can also be hooked to a forklift for towing.



If you have just one jack, lift the load directly next to the single front dolly.



You can also use
4 jacks
simultaneously
to lift-up all four
corners so you
can position all
dollies at the
same time.



Made in Germany

Toolwell

Distributed by

**Toolwell
North America**

© Toolwell, Inc. - all rights reserved -