

## MACHINE SKATES

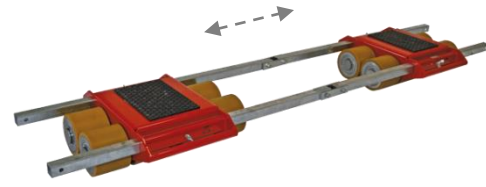
Advanced high-strength steel skates with non floor damaging wheels

Load Capacity:

**80 tons each -or-  
160 tons combined**

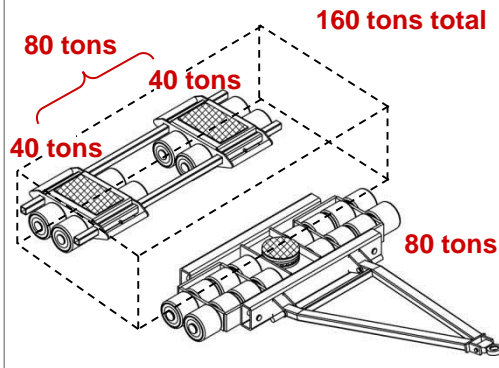


**Model A80**  
Steerable Front



**Model B80**  
Adjustable-Width Rear

### Example of Load Distribution



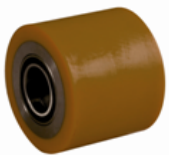
3-point skate systems do not slip during pulling & tugging actions

» Each Model Sold Separately «  
Mix & Match as Needed!

Included	One steerable skate with non floor marking wheels and pulling handle.	One straight-line 2-part skate with non floor marking wheels and connecting bar.
Load Capacity Each	<b>80 tons • 160,000 lbs</b>	<b>80 tons • 160,000 lbs</b>
Load Capacity Combined <b>A80 + B80</b>	<b>160 tons • 320,000 lbs</b>	
Height (from floor to top of load pad)	9.4"	9.4"
Dimensions (Width x Length)	74.9" x 31.6" without handle	29.5" x 29.1" each skate part without bars
Load Wheels Dimensions (Ø x Width)	7.9" x 6.7"	7.9" x 6.7"
Supporting Surface (each with anti-slip load pad)	Ø 9.8"	15.7" x 10.2"
Length of Connecting Bar	n/a	118"
Pulling Handle length (with towing eye)	62.6"	n/a
Weight	1594 lbs	1246 lbs
Manufacturer • MPN	JUNG • JL 80 H	JUNG • JFB 80 H

Free lifetime rigging & technical support hotline!

### JUWathan+® Wheels



with Steel Core

**Patented wheel material is baked in oven over long period for elasticity and extreme toughness!**

Non floor damaging	For smooth and rough floors	Overcomes small obstacles easily by molding around them to keep rolling.	Low floor pressure	Shock absorbent	<b>Superior performance and durability over traditional polyurethane, composite or steel wheels</b>
Non floor marking	For floors with cracks and dirt	No stop, up & over action required like with other wheels.	Low break out & low rolling resistance	Reliable under toughest working conditions	
	For both inside and outside use		Low push-pull force and low manpower requirements		



**MADE IN GERMANY**  
By JUNG



**5 Year Manufacturer's Warranty**  
(damage due to overloading not covered)