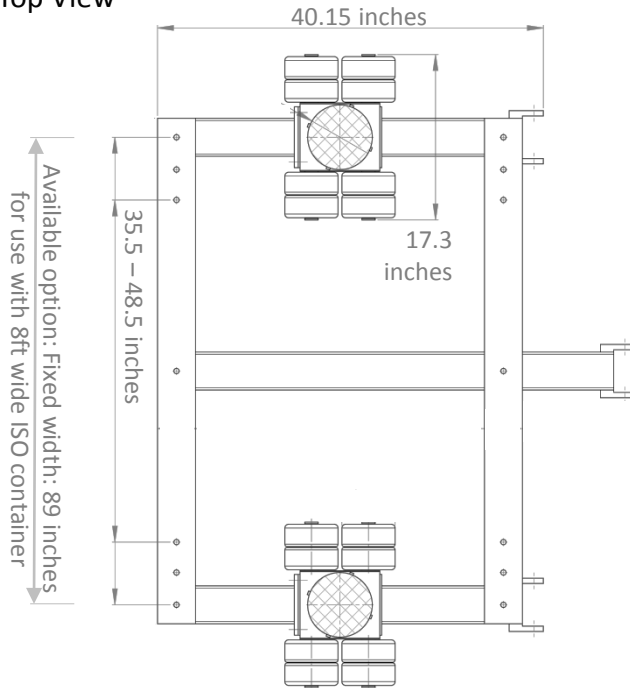


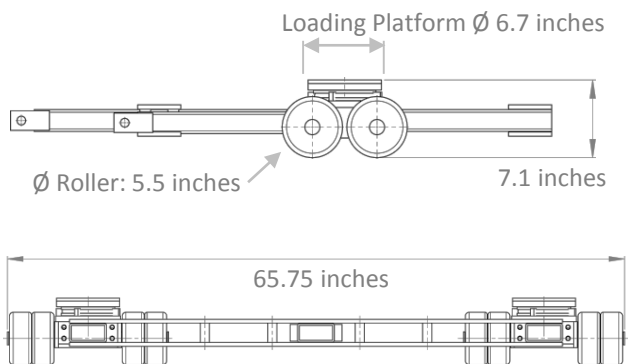
## Dimensions: TANDEM MACHINE SKATES

### Model T20

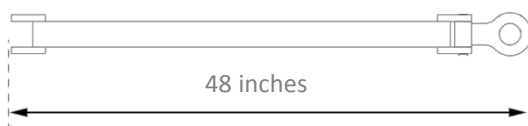
Top View



Side Views

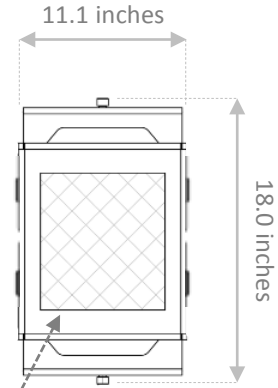


Pulling Handle



### Model U20

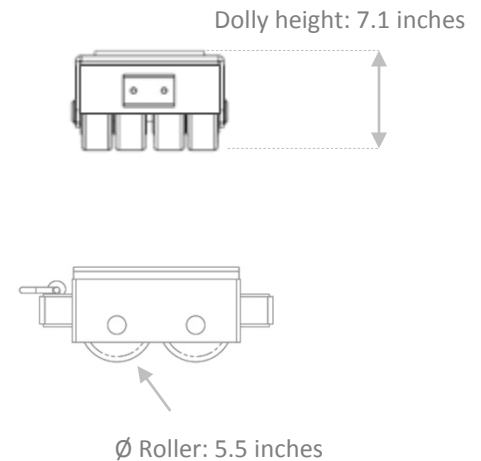
Top View



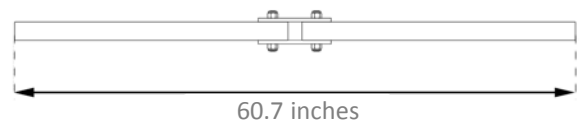
**Note:**  
Sold in sets of two.

Loading platform:  
8.6 x 7.8 inches

Side Views



Connecting Bar



Extended connecting bar: 89 inches  
also available for 8ft wide ISO container use.